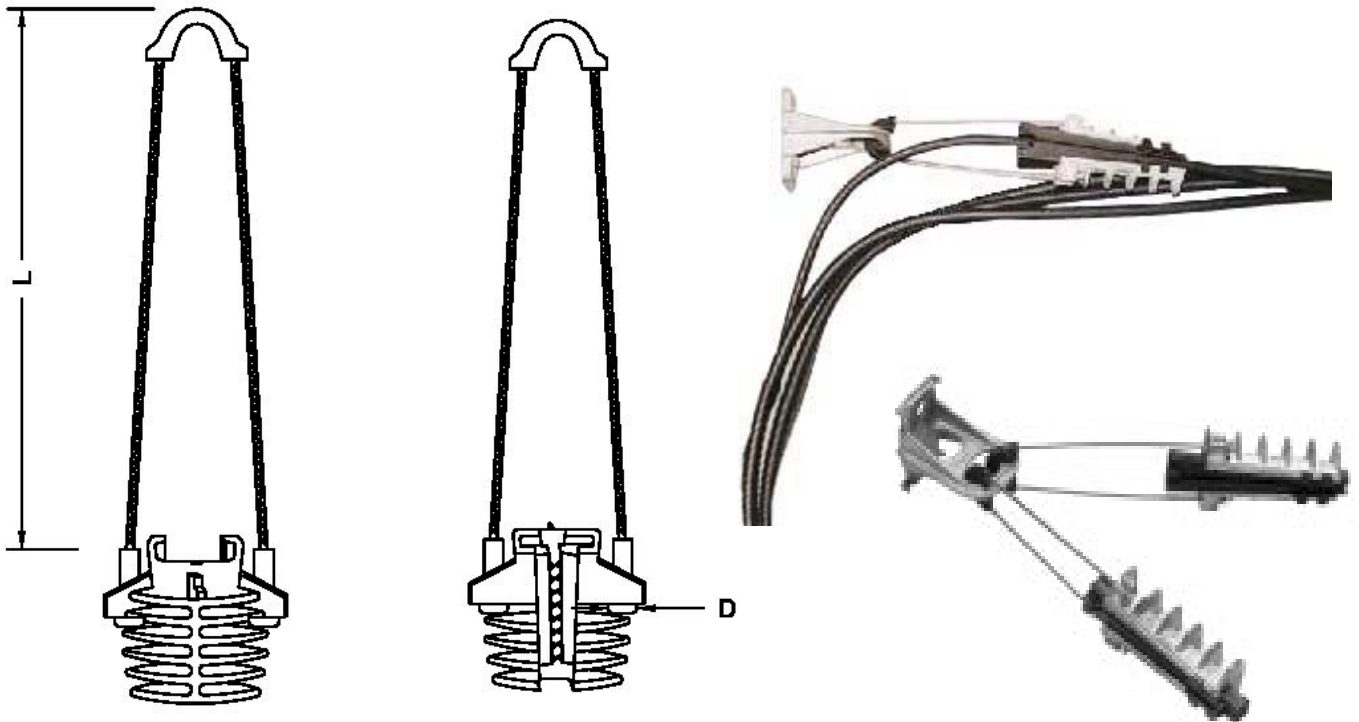


ABC Accessories Anchoring Clamp



CATALOG	RANGE OF COND DIAMETER (MM)	BREAKING STRENGTH (N)	L	D	PER BOX
ANC-01-2000	3.50-5.50	2000	120	12	100
ANC-02-2000	5.60-7.50	2000	120	12	100
ANC-02-3500	5.60-7.50	3500	200	14	100
ANC-03-6000	8.00-10.00	6000	300	16	50

Clamps are capable to withstand dielectric strength of 6000V for one minute

Anchoring clamp consists of body made of aluminium alloy or thermoplastic

Wedge is made of zinc alloy or thermoplastic

Bail is made of stainless steel or hot dip galvanized steel

All dimensions in mm * We reserve the right to change design & construction without prior notice

@ A.Damiano & Company: GPO Box:893:Calcutta 700001 :India :E mail:damiano@vsnl.com: Web:www.adamiano.com **DAMIANO**