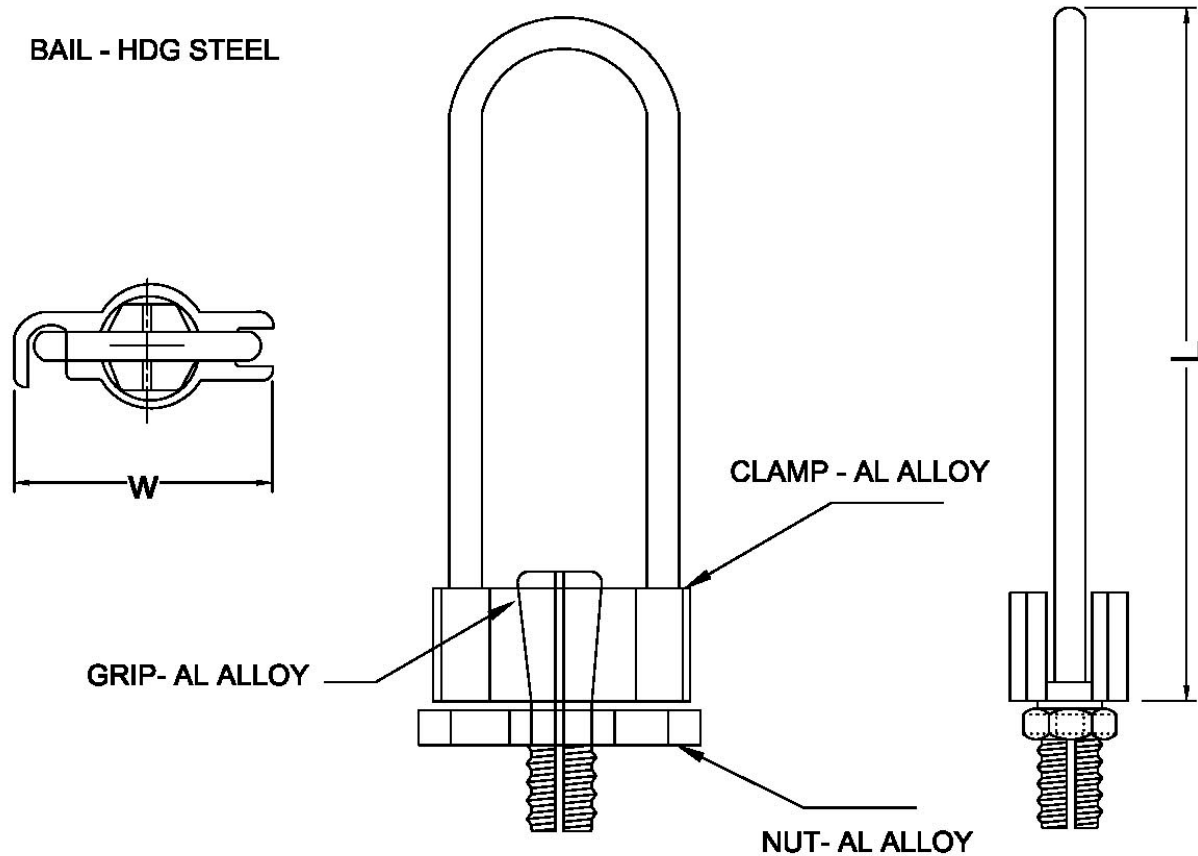


ABC Accessories Conical Dead end Clamps



Catalog Reference	Messenger Maximum	L Maximum	W Maximum
CDE-CT-01	8	185	50
CDE-CT-02	12	250	60

Conical dead end clamps can be used for terminating the aerial bundles cables on a pole or wall when used with other wall / pole fixing clamps

The grips is designed such that it can accept a range of conductor diameter and still provide effective grip under load conditions

The clamps , grips and nuts are made of high strength aluminium alloy and Bail is made of hot dip galvanized steel

Other sizes available on request
All dimensions in mm * We reserve the right to change design & construction without prior notice