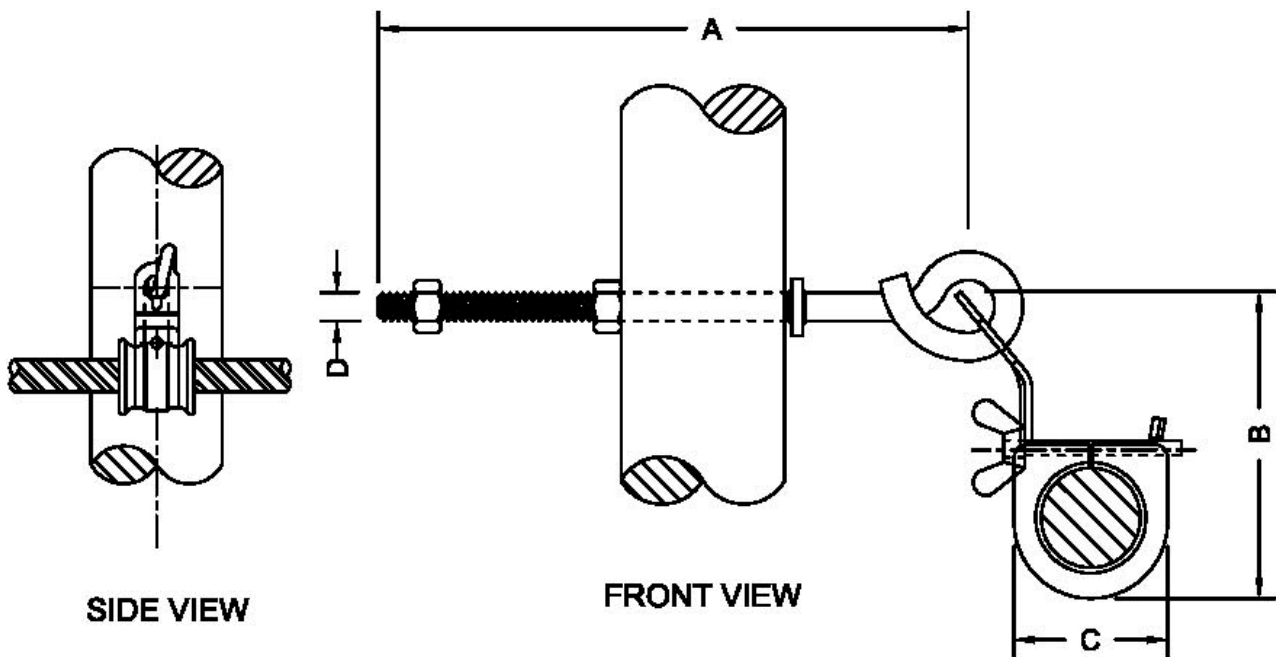


ABC Accessories
Suspension Clamp (0-30 DEG)



CATALOG	A	B	C	D
SC-0-30-DEG	309	132	55	18

Suspension Clamps are made of pressed steel and supplied
Complete with retaining bolts and nuts which are hot dip galvanized steel

Suspension Clamp assembly consists of suspension clamps with
rubber inserts , pig tail hook assembled with two nuts

All ferrous parts are hot dip galvanized to ASTM A153 / BS 729

Other sizes available on request
All dimensions in mm * We reserve the right to change design & construction without prior notice