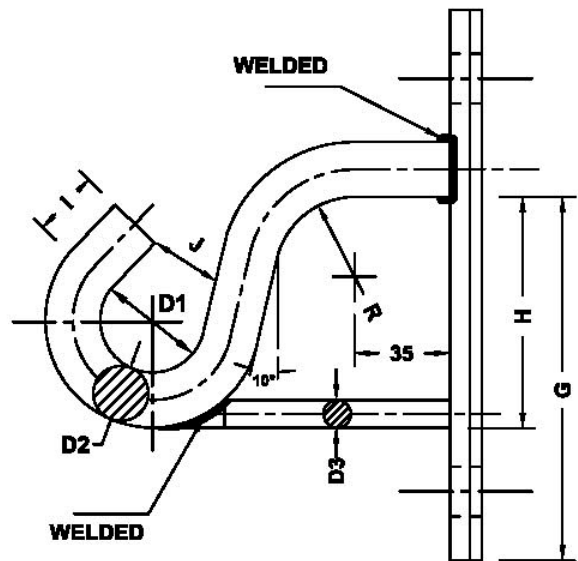
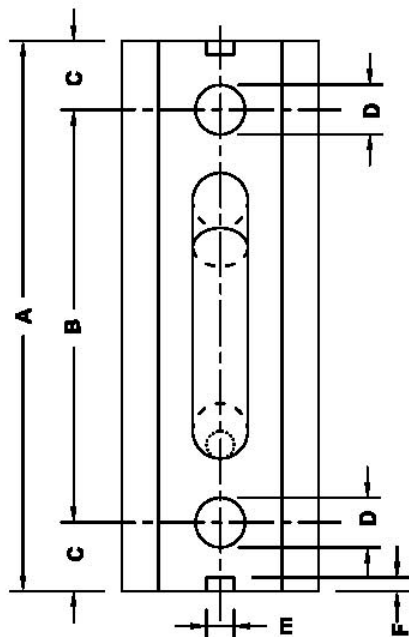
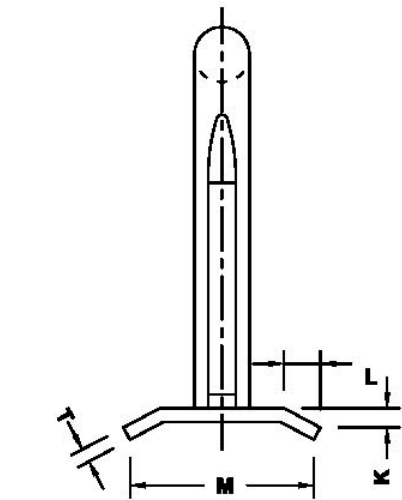


# ABC Accessories Wall Brackets (Steel)



Type	A	B	C	D	E	F	G	H	I	J	K	L	M	T	D1	D2	D3	R
WB-PS-01	200	150	25	18	10	5	132	84	19	21	7	15	75	5	38	16	10	20

All ferrous parts are hot dip galvanized to ASTM A153 / BS 729

Other sizes available on request  
All dimensions in mm \* We reserve the right to change design & construction without prior notice

@ A.Damiano & Company: GPO Box:893:Calcutta 700001:India :E mail:damiano@vsnl.com: Web:www.adamiano.com

**DAMIANO**