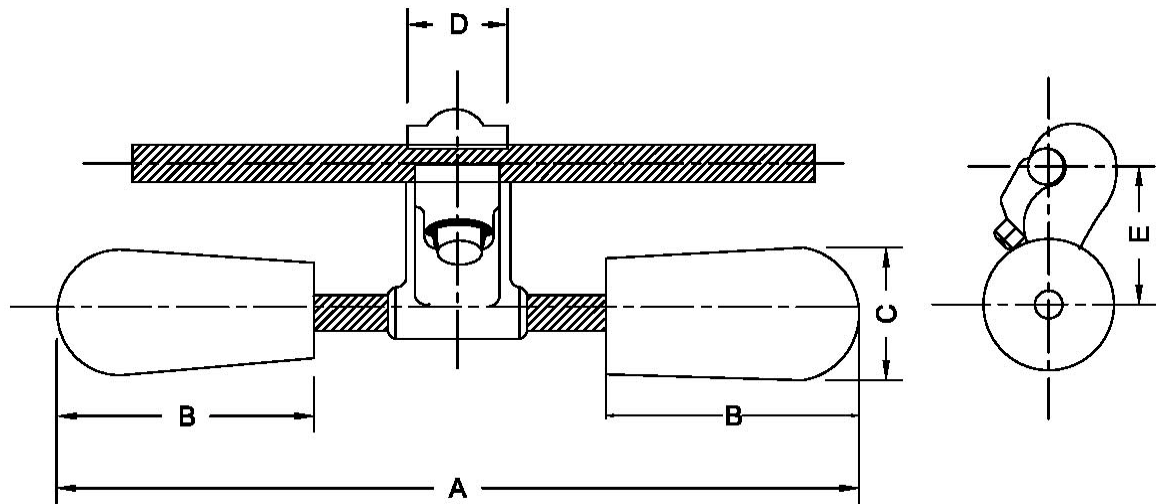


## Conductor accessories Stockbridge Damper ( 2R Type )



CATALOG	COND RANGE	A	B	C	D	E	NOM WT
VD-2R-01	5.50 - 6.60	301	70	37	47	54	1.5
VD-2R-02	6.60 - 8.30	311	76	40	47	54	2.0
VD-2R-03	8.30 - 9.90	337	88	45	47	54	3.0
VD-2R-04	9.90 - 12.00	352	96	50	54	64	4.0
VD-2R-05	12.00 - 15.00	432	165	52	54	64	6.0
VD-2R-06	15.00 - 17.80	473	181	57	54	64	8.0
VD-2R-07	17.80 - 21.00	516	198	61	58	78	10.0
VD-2R-08	21.00 - 24.60	554	216	64	58	78	12.0
VD-2R-09	24.60 - 29.00	614	232	66	62	88	16.0
VD-2R-10	29.00 - 33.00	632	249	69	62	88	16.0
VD-2R-11	33.00 - 39.40	666	258	72	64	98	18.0

Damper mass : - Hot dip galvanized cast iron  
 Messenger : - Hot dip galvanized stranded steel wire  
 Clamp : - Aluminium alloy  
 Bolt & washers : - Hot dip galvanized steel

Other sizes available on request  
 All dimensions in mm \* We reserve the right to change design & construction without prior notice

@ A.Damiano & Company: GPO Box:893:Calcutta 700001 :India :E mail:damiano@vsnl.com: Web:www.adamiano.com

**DAMIANO**