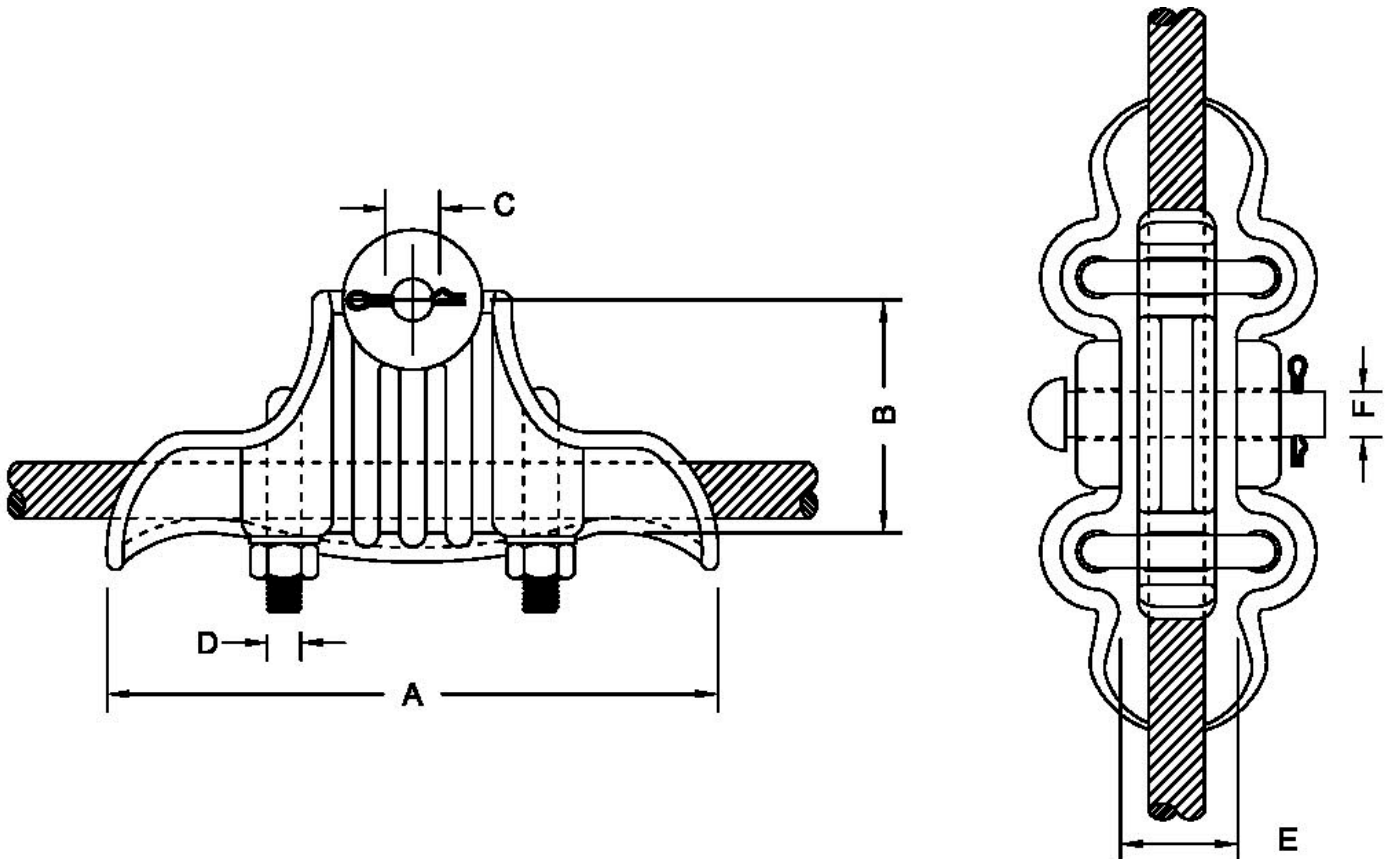


# Conductor accessories Suspension Clamps

SUITABLE FOR AAC / AAAC / ACSR CONDUCTORS



Description	Material
Clamp body and keeper	Aluminium alloy
U bolt , nut and washer	Hot dip galvanized steel
Cotter pin	Stainless steel

CATALOG	A (MM)	B (MM)	E (MM)	D (MM)	DOND. DIA (MM)	UTS (KN)	NO. OF BOLT
SC-01	180	57	19.05	12	0.30 - 0.70	45	2
SC-02	203	60	26.90	12	0.50 - 1.00	70	2
SC-03	203	60	30.20	12	0.70 - 1.12	70	2
SC-04	241	77	44.40	16	1.10 - 1.60	90	2

Clamps & keeper are made from cast high strength aluminium alloy

U bolts , nuts , washer , cotter & pin are made of hot dip galvanized steel

Other sizes available on request

All dimensions in mm \* We reserve the right to change design & construction without prior notice