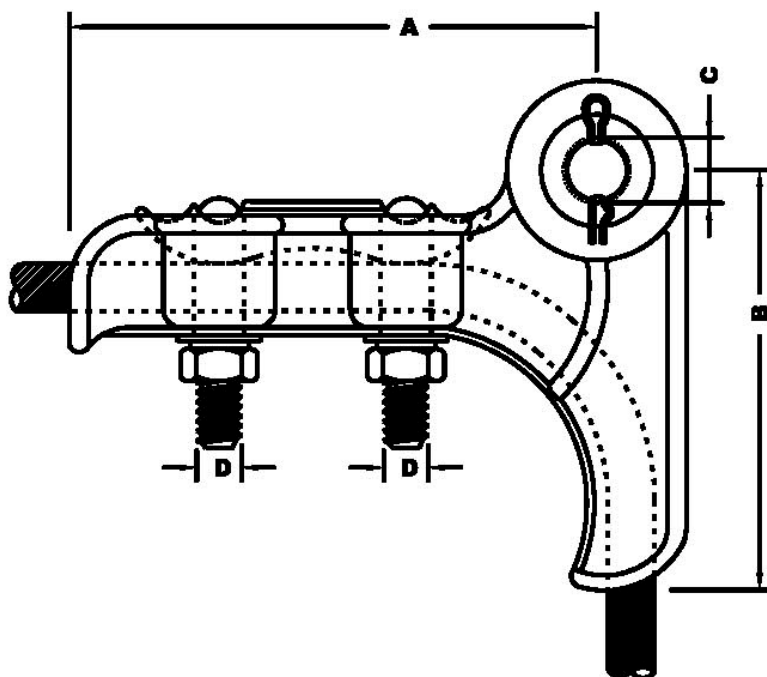


Conductor accessories Tension Clamps

Suitable for AAC / AAAC / ACSR Conductors



Clamp body & keeper	Aluminium alloy
U bolt , nut , cotter & washer	Hot dip galvanized steel
Cotter pin	Stainless steel

CATALOG	A (MM)	B (MM)	C (MM)	D (MM)	MAX. COND. DIAMETER	UTS (KN)	NO.OF BOLT
TC-02	135	112	16	12	16	45	2

The clamps & keeper are made of cast high strength aluminium alloys

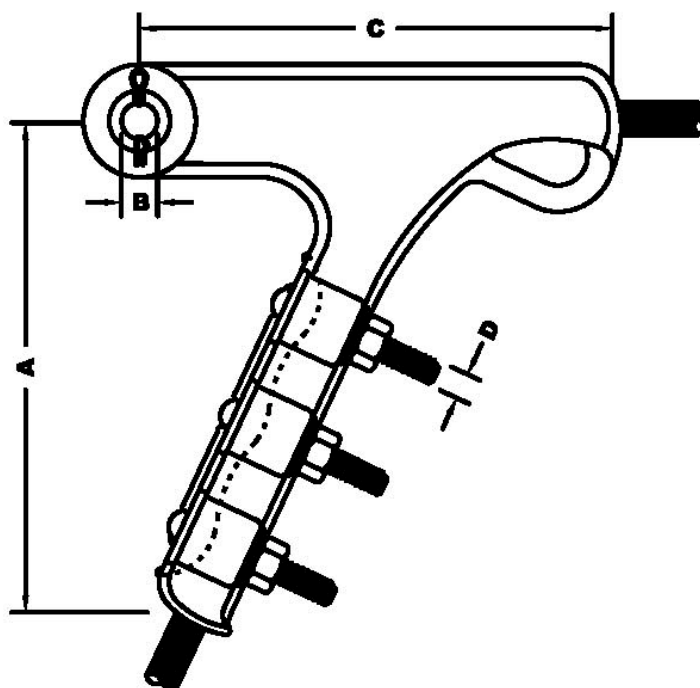
The u bolts , nuts , cotter are made of hot dip galvanized steel

The cotter pin is made of stainless steel

Other sizes available on request
All dimensions in mm * We reserve the right to change design & construction without prior notice

Conductor accessories Tension Clamp

Suitable for AAC / AAAC / ACSR Conductors



Clamp body & keeper	Aluminium alloy
U bolt , nut , cotter & washer	Hot dip galvanized steel
Cotter pin	Stainless steel

CATALOG NO.	A (MM)	B (MM)	C (MM)	D (MM)	MAX. COND. DIAMETER	UTS (KN)	NO. OF BOLTS
TC-02	160	18	156	12	08-15	45	2
TC-03	210	18	203	12	09-18	62	3
TC-04A	275	18	292	16	14-25	80	4
TC-04B	272	18	220	12	12-22	80	4
TC-06	330	22	327	19	22-29	110	6

The clamps are designed with integral eye for hot stick operations
The clamps also provide sufficient clearance between insulators and
Conductors and eliminate use of extension straps or similar hardware

Other sizes available on request

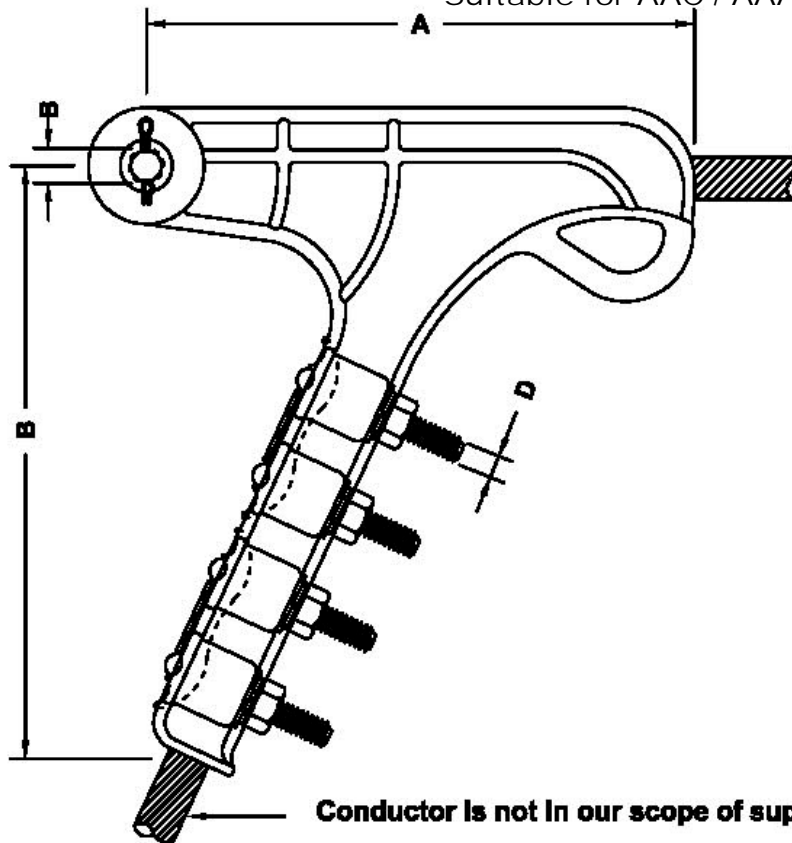
All dimensions in mm * We reserve the right to change design & construction without prior notice

@ A.Damiano & Company: GPO Box:893:Calcutta 700001:India :E mail:damiano@vsnl.com: Web:www.adamiano.com

DAMIANO

Conductor Accessories Tension Clamps

Suitable for AAC / AAAC / ACSR Conductors



No.	Description	Material	Qty. (nos.)
1	Clamp body	Aluminium alloy	1
2	Clamp keeper	Aluminium alloy	2
3	U bolt - m16 x 45 x 90	Hdg steel	4
4	Hex nut m16	Hdg steel	8
5	Washer spring	Hdg steel	8
6	Cotter m16 x 75	Hdg steel	1
7	Washer round m16	Hdg steel	1
8	Cotter pin m16	Stainless steel	1

CATALOG NO.	A (MM)	B (MM)	C (MM)	D (MM)	MAX. COND. DIAMETER	MFL (KN)
TC-04-SS	315	18	285	16	12 - 25	110

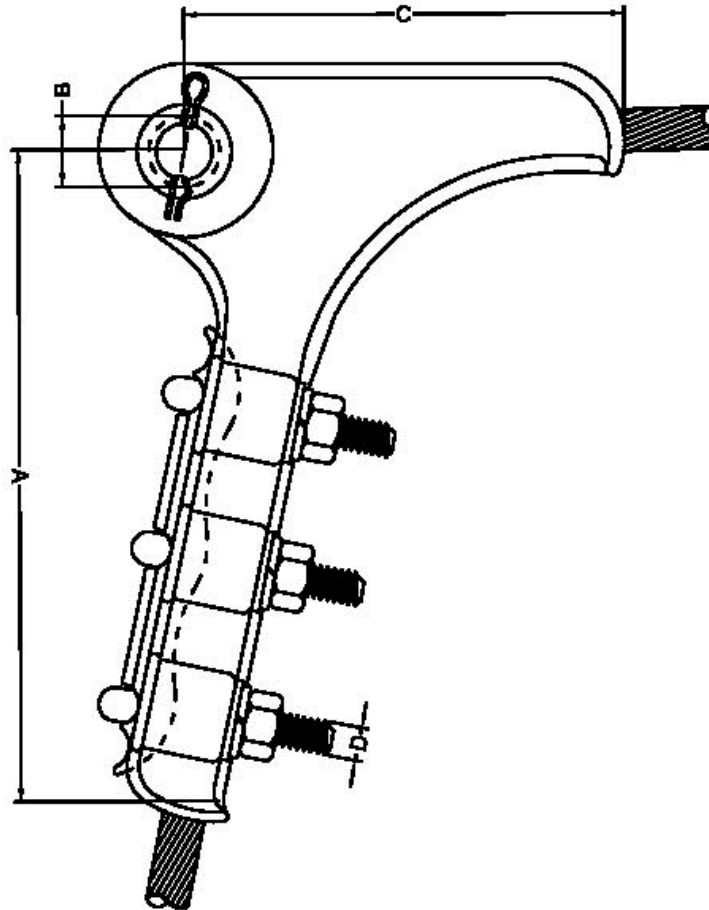
The clamps are designed with integral eye for hot stick operations. The clamps also provide sufficient clearance between insulators and conductors and eliminate the use of extension straps or similar hardware.

Other sizes available on request

All dimensions in mm * We reserve the right to change design & construction without prior notice

Conductor accessories Tension Clamps

Suitable for AAC / AAAC / ACSR Conductors



Clamp body & keeper	Aluminium alloy
U bolt , nut , cotter & washer	Hot dip galvanized steel
Cotter pin	Stainless steel

CATALOG	A	B	C	D	E	UTS	NO. OF BOLTS
TCC-03	230	18	105	12	19	45	3
TCC-04	320	18	160	12	21	70	4

E = MAXIMUM DIAMETER OF CONDUCTOR

These types of tension clamps offer economical way of dead ending conductors

Other sizes available on request
All dimensions in mm * We reserve the right to change design & construction without prior notice

@ A.Damiano & Company: GPO Box:893:Calcutta 700001:India :E mail:damiano@vsnl.com: Web:www.adamiano.com

DAMIANO