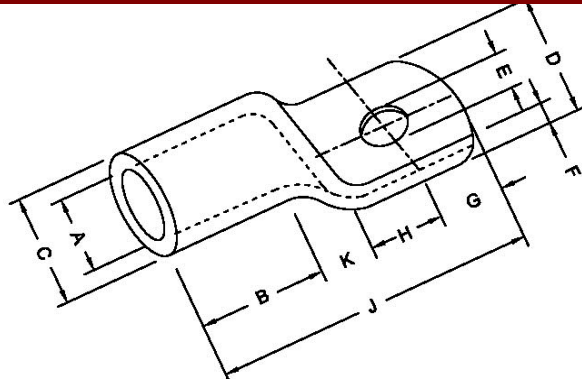


Conductor accessories Terminal Lugs (Cu)



MM2	SIZE	E	A	C	D	F	B	K	H	G	J
10	7/1.4	6.5	4.4	6.2	11	1.3	9	3	6	6	24
16	7/1.7	6.5	5.3	7.1	11	1.6	12	4	8	6	30
25	7/2.24	6.5	7.0	9.0	13	2.0	12	5	12	8	37
35	7/2.5	6.5	8.0	10.0	15	2.0	12	5	12	8	37
35	7/2.5	8.2	8.0	10.0	15	2.0	12	5	12	8	37
50	19/1.8	6.5	9.2	11.2	16	2.0	16	8	12	9	45
50	19/1.8	8.2	9.2	11.2	16	2.0	16	8	12	9	45
50	19/1.8	10.2	9.2	11.2	16	2.0	16	8	12	9	45
70	19/2.24	8.2	11.5	13.8	20	2.3	18	10	15	13	56
70	19/2.24	10.2	11.5	13.8	20	2.3	18	10	15	13	56
70	19/2.24	12.7	11.5	13.8	20	2.3	18	10	15	13	56
95	19/2.5	10.2	12.8	15.6	23	2.8	20	10	15	16	58
95	19/2.5	12.7	12.8	15.6	23	2.8	20	10	15	13	58
120	37/2.06	10.2	14.8	17.8	26	3.0	22	10	16	14	62
120	37/2.06	12.7	14.8	17.8	26	3.0	22	10	16	14	62
120	37/2.06	16.2	14.8	17.8	26	3.0	22	10	16	14	62
150	37/2.24	10.2	16.0	19.6	28	3.6	26	11	18	15	70
150	37/2.24	12.7	16.0	19.6	28	3.6	26	11	18	15	70
150	37/2.24	16.2	16.0	19.6	28	3.6	26	11	18	15	70
185	37/2.5	16.2	18.0	22.0	32	4.0	28	13	21	21	83
225	37/2.8	16.2	20.0	24.0	33	4.0	28	15	24	24	95
240	61/2.24	20.3	22.0	26.0	38	4.0	34	15	24	24	97
300	61/2.5	20.3	24.0	28.7	42	4.7	36	16	25	25	103
400	61/3.0	20.3	28.0	33.2	49	5.2	44	18	27	27	116
500	91/2.65	20.3	30.0	36.0	53	6.0	48	18	27	27	120

Terminal lugs are made tinned e-copper and suitable for compression and soldering

Other sizes available on request
All dimensions in mm * We reserve the right to change design & construction without prior notice