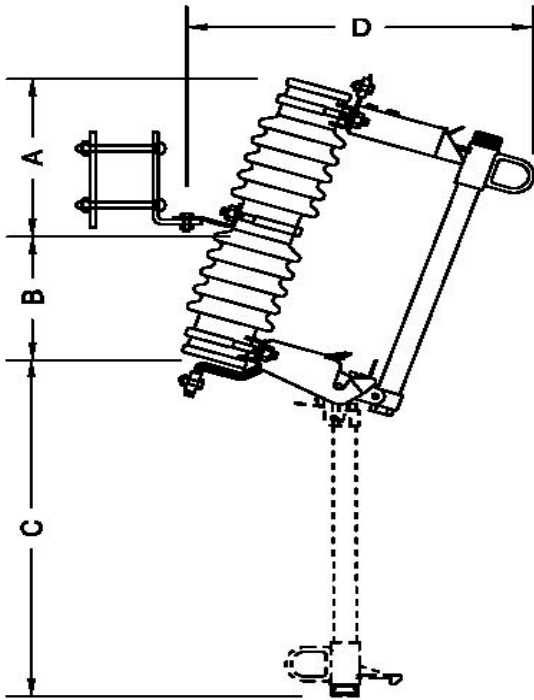


## Distribution Fuse Cutout Single Insulator Design



Particulars		FC-003	FC-002	FC-001
Maximum design voltage	KV	15	24	36
System voltage	KV	11	22	33
Withstand voltage				
Power frequency - Dry	KV	35	75	95
Power frequency - Wet	KV	32	65	85
Basic Insulation Level	KV	95	125	150
Creepage distance to earth	MM	305	380	610
Dimensions ( approximate )				
A	MM	215	260	350
B	MM	215	255	350
C	MM	360	425	575
D	MM	380	415	425
Rated breaking capacity	KA	8	6	4

Other sizes & ratings available on request

All dimensions in mm \* We reserve the right to change design & construction without prior notice