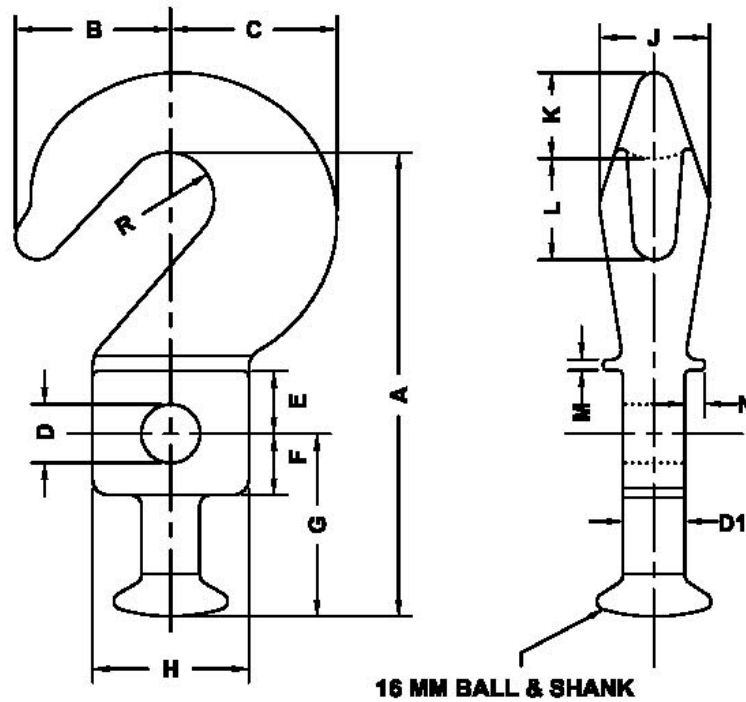


Insulator accessories
Ball hook (Horn Holder)



ARCING HORN TYPE

CATALOG	A	B	C	D	D1	E	F	G	H	J	K	L	M	N	R
BH-02	148	45	50	17.5	16	19	19	57	45	32	27	37	3	6	14

All ferrous parts hot dip galvanized to BS 729

B&S Coupling confirms to 16mmB

Ball ended Hooks can be supplied in higher strength rating if required by using higher strength steel and heat treatment thereof and also using special designs of eye to increase strength function

Ball ended hooks conforms to requirements of BS 3288