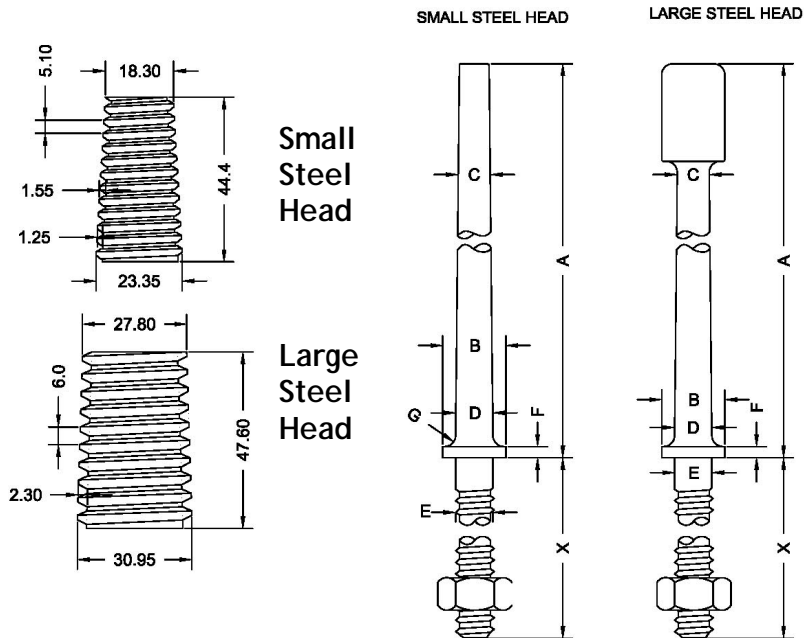


Insulator accessories Pin Line



Shank Length 50 or 130 mm
to be specified while ordering

All ferrous parts hot dip
Galvanized to BS 720

Pins confirming to BS 3288

Catalog	A	B	C	D	E	F	MFL
Tolerance	± 5	± 2	± 2	± 2	± 0.7	MIN	MIN
IS-SH-20	115	32	24	23	20	5	5
IS-SH-22	165	37	24	24	20	5	5
IS-SH-24	230	40	24	28	22	6	5
IS-SH-21	115	40	24	28	20	6	10
IS-SH-23	165	43	24	31	20	6	10
IS-SH-25	230	50	24	37	22	6	10
IS-LH-26	165	37	24	24	20	5	5
IS-LH-28	230	40	24	28	22	6	5
IS-LH-30	305	43	24	31	22	6	5
IS-LH-27	165	43	24	31	20	6	10
IS-LH-29	230	50	25	37	22	6	10
IS-LH-31	305	63	27	40	22	6	10

Line Pins supplied complete with one hex nut .

Additional lock nut and washers can be supplied at extra cost

Please add suffix l (lock nut) , p (plain washer) and s (spring washer)

Other sizes available on request

All dimensions in mm * We reserve the right to change design & construction without prior notice