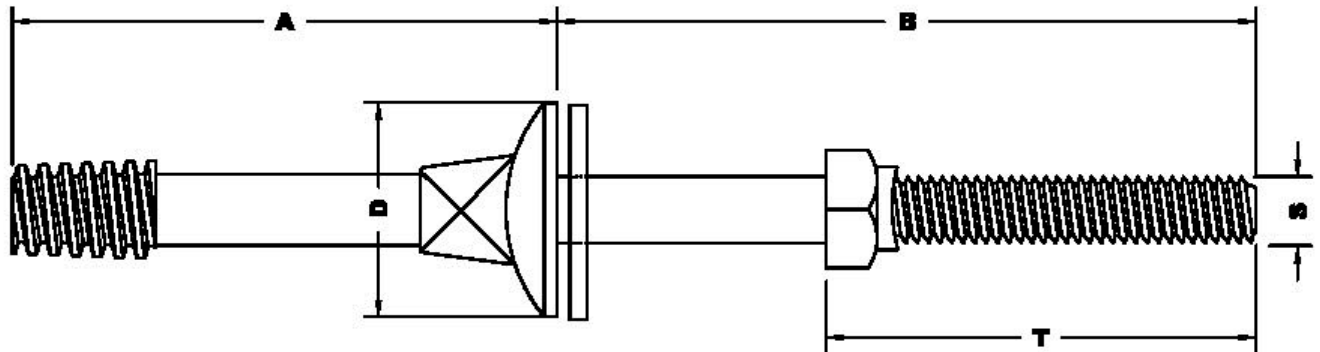


Insulator accessories

Pin LV



Integral casted / moulded insulator threads

Rolled Threads

CATALOG	S	A	B	T	D	WASHER
PCLV-0.625-06.5000	5/8	5	1-1/2	1-3/8	2-0/0	SPRING
PCLV-0.625-07.500	5/8	6	1-1/2	1-3/8	2-0/0	SPRING
PCLV-0.625-08.500	5/8	6	2-1/2	2-0/0	2-0/0	SPRING
PCLV-0.625-10.750	5/8	5	5-3/4	4-0/0	2-0/0	2-0/0
PCLV-0.625-10.875	5/8	5	5-7/8	3-0/0	2-1/2	2-0/0
PCLV-0.625-11.500	5/8	5	6-1/2	4-0/0	2-0/0	2-0/0
PCLV-0.625-13.000	5/8	5	8-0/0	4-0/0	2-0/0	ROUND
PCLV-0.625-11.750	5/8	6	5-3/4	2-3/4	2-0/0	2-0/0
PCLV-0.625-12.500	5/8	6	6-1/2	3-0/0	2-0/0	2-0/0
PCLV-0.750-07.750	3/4	6	1-3/4	1-5/8	2-1/2	SPRING
PCLV-0.750-12.500	3/4	6	6-1/2	3-1/4	2-1/2	2-1/4
PCLV-0.750-12.500	3/4	6	6-1/2	3-1/4	2-0/0	2-1/4
PCLV-0.750-14.000	3/4	6	8-0/0	4-0/0	2-0/0	2-1/4
PCLV-0.750-14.000	3/4	6	8-0/0	3-1/4	2-1/2	2-1/4

LV Pins long shank supplied complete with one nut , one lock nut & one washer (round / square) .

LV Pins Short shank supplied complete with one nut & one spring washer

LV Pins available in lead & nylon threads

All ferrous parts hot dip galvanized to ASTM A153

Other sizes available on request
All dimensions in inches * We reserve the right to change design & construction without prior notice