

Insulator Accessories

Pin Pilot

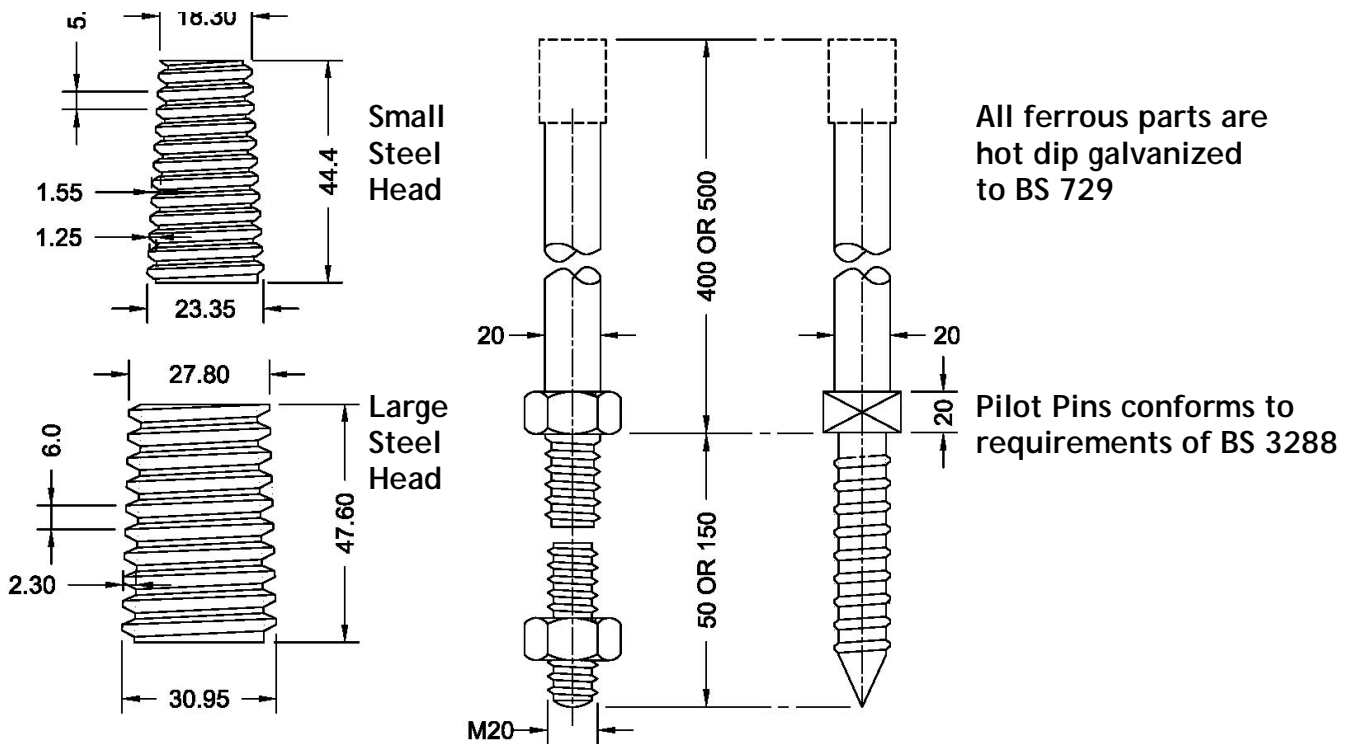


FIGURE 1

FIGURE 2

CATALOG	FIGURE	LENGTH	TYPE OF HEAD
ISP-SH-44	1	400	SMALL STEEL
ISP-LH-45	1	400	LARGE STEEL
ISP-SH-49	1	500	SMALL STEEL
ISP-LH-50	1	500	LARGE STEEL
ISP-SH-53	2	500	SMALL STEEL
ISP-LH-54	2	500	LARGE STEEL
ISP-SH-55	2	400	SMALL STEEL
ISP-LH-56	2	400	LARGE STEEL

Pilot Pins (Fig 1) supplied complete with two hex nuts
 Additional lock nut and washers can be supplied at extra cost
 Please add suffix l (lock nut) , p (plain washer) and s (spring washer)

Other sizes available on request
 All dimensions in mm * We reserve the right to change design & construction without prior notice