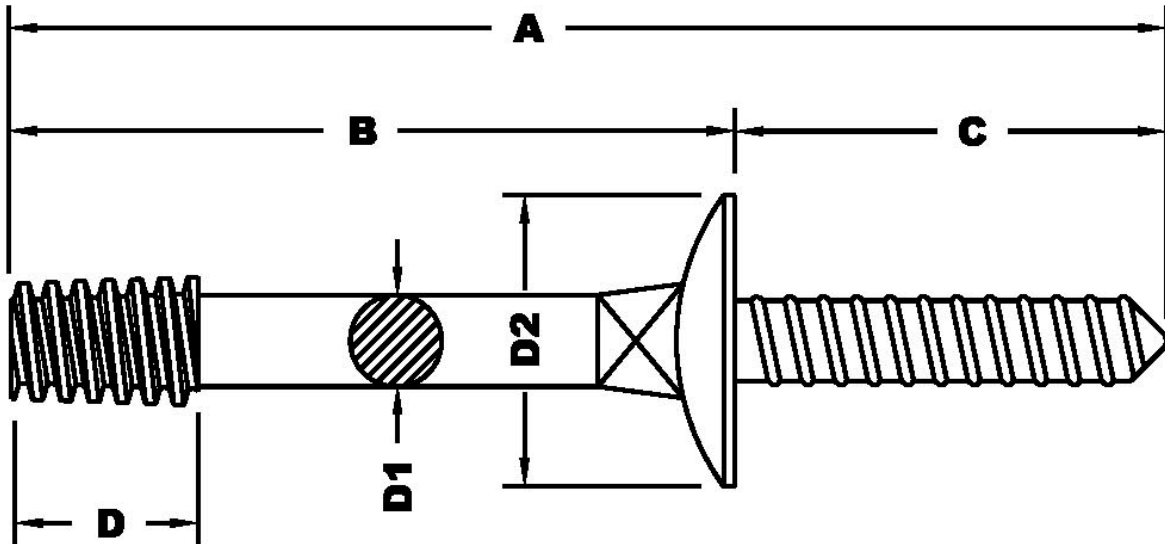


Insulator accessories Pin Transformer Lead



Integral casted / moulded insulator threads

Wood Screw Threads

CATALOG	A	B	C	D	D1	D2
PCR-AD-250	8	5	3	1-5/8	5/8	2

Transformer Lead Pins available in lead & nylon threads

All ferrous parts hot dip galvanized to ASTM A153

Other sizes available on request
All dimensions in inches * We reserve the right to change design & construction without prior notice

@ A.Damiano & Company: GPO Box:893:Calcutta 700001:India :E mail:damiano@vsnl.com: Web:www.adamiano.com

DAMIANO