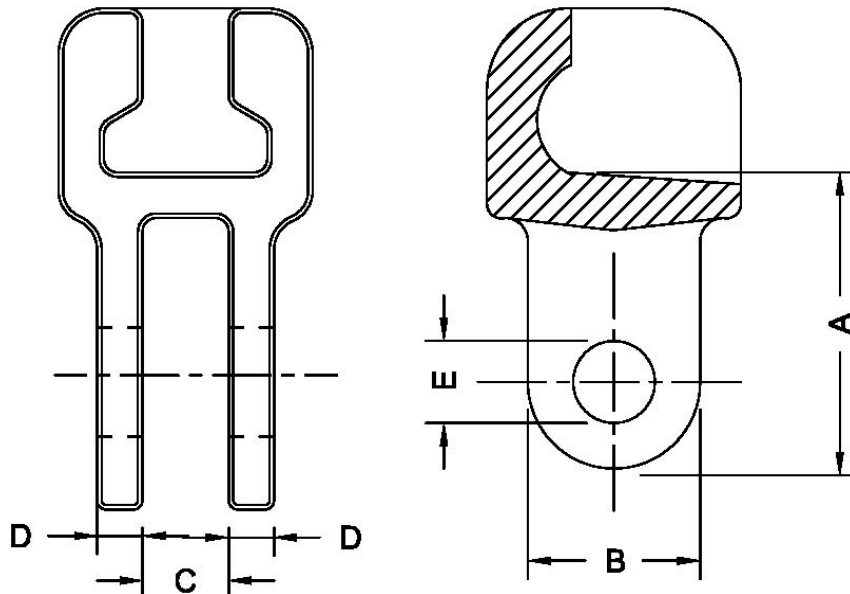


Insulator accessories Socket clevis (eye type)

SLOT /HOLE FOR SECURITY CLIP

BALL & SOCKET COUPLING



CATALOG NO.	A	B	C	D	E	B&S	MFL KN
SC-CET-01	57	32	19	8	18	16	45
SC-CET-02	57	36	19	8	18	16	70
SC-CET-03	70	40	22	8	18	16	90
SC-CET-04	70	44	22	10	18	20	120

Socket clevis available as forged or as cast

Socket clevis supplied complete with one security clip , one cotter & pin

Security clip may be w or r type.

Please specify by adding w or r to the suffix while ordering

Socket clevis conforms to requirements of BS 3288

All ferrous parts are hot dip galvanized to ASTM A153 / BS 729
excluding security clip and cotter pin which is made of stainless steel

Other sizes available on request

All dimensions in mm * We reserve the right to change design & construction without prior notice