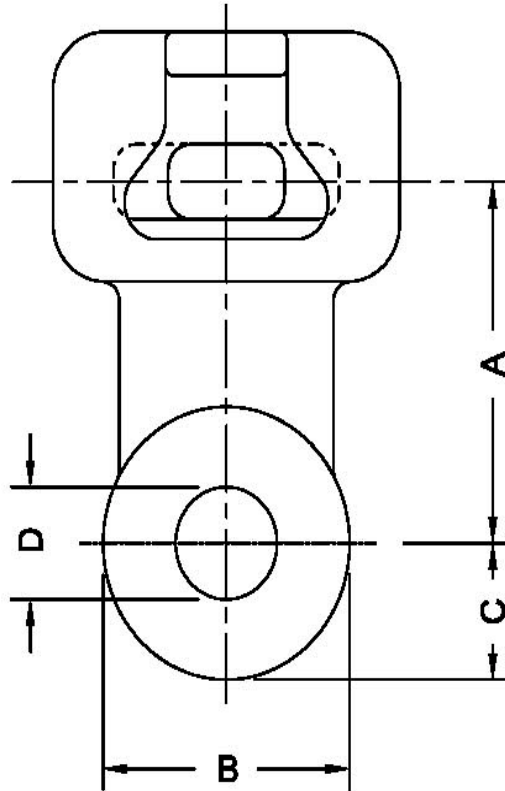


Insulator accessories Socket Eye (Plain)



Catalog	A	B	C	D	B&S	UTS KN
SC-ET-01	57	32	16	18	16	45
SC-ET-02	57	36	18	18	16	70
SC-ET-03	70	40	20	18	16	90
SC-ET-04	70	44	22	22	20	120

Socket eye available as forged or as cast

Socket eye supplied complete with one security clip

Security clip may be w or r type.

Please specify by adding w or r to the suffix while ordering

All ferrous parts are hot dip galvanized to ASTM A153 / BS 729
excluding security clip which is made of stainless steel

Other sizes available on request
All dimensions in mm * We reserve the right to change design & construction without prior notice