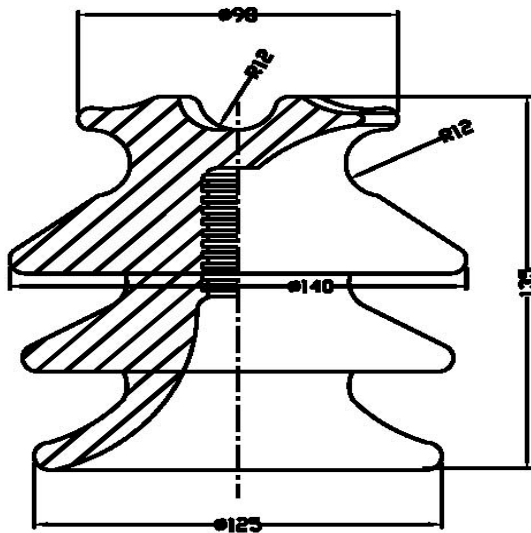
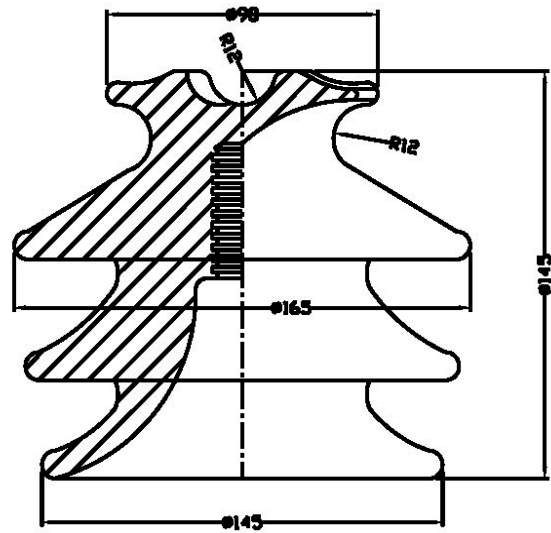


# Insulators Pin Insulators



1111



1112

Catalog			1111	1112
Highest system voltage		kV	12	12
Total Creepage distance ( nominal )		mm	270	320
Protected Creepage distance ( nominal )		mm	120	140
Cantilever strength		kN	10	10
Flashover voltage - Power frequency	Dry	kV	70	75
Flashover voltage - Power frequency	Wet	kV	40	45
Flashover voltage - Impulse	Positive	kVp	105	110
Flashover voltage - Impulse	Negative	kVp	110	120
Withstand voltage - Power frequency	Dry	kV	65	70
Withstand voltage - Power frequency	Wet	kV	35	40
Withstand voltage - Impulse	Positive	kVp	95	100
Withstand voltage - Impulse	Negative	kVp	105	110
Power frequency puncture voltage		kV	105	110
Visible discharge voltage		kV	9	9
Thimble type			Small or Large	Small or Large
Net weight		Kg	1.8	2.3

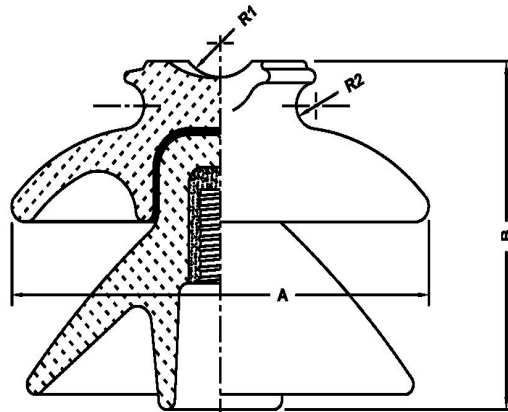
Other sizes available on request

All dimensions in mm \* We reserve the right to change design & construction without prior notice

@ A.Damiano & Company: GPO Box:893:Calcutta 700001 :India :E mail:damiano@vsnl.com: Web:www.adamiano.com

**DAMIANO**

# Insulators Pin Insulators



Catalog			2212	3311	3312
Highest system voltage		kV	24	36	36
Total Creepage distance ( nominal )		mm	432	580	585
Protected Creepage distance ( nominal )		mm	210	300	335
Cantilever strength		kN	10	10	10
Flashover voltage - Power frequency	Dry	kV	100	110	130
Flashover voltage - Power frequency	Wet	kV	60	85	95
Flashover voltage - Impulse	Positive	kVp	160	205	210
Flashover voltage - Impulse	Negative	kVp	205	225	250
Withstand voltage - Power frequency	Dry	kV	90	100	110
Withstand voltage - Power frequency	Wet	kV	55	80	90
Withstand voltage - Impulse	Positive	kVp	140	180	200
Withstand voltage - Impulse	Negative	kVp	150	190	220
Power frequency puncture voltage		kV	145	200	210
Visible discharge voltage		kV	18	27	27
Thimble type			Large	Large	Large
Net weight		Kg	5	7.5	9.5
Dimensions	A	mm	235	280	280
Dimensions	B	mm	165	203	245
Dimensions	R1	mm	19	16	16
Dimensions	R2	Mm	15	16	16

Other sizes available on request

All dimensions in mm \* We reserve the right to change design & construction without prior notice

@ A.Damiano & Company: GPO Box:893:Calcutta 700001:India :E mail:damiano@vsnl.com: Web:www.adamiano.com

**DAMIANO**