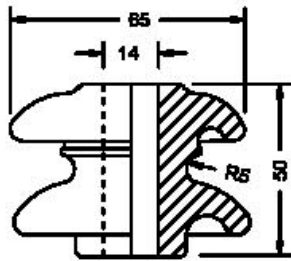
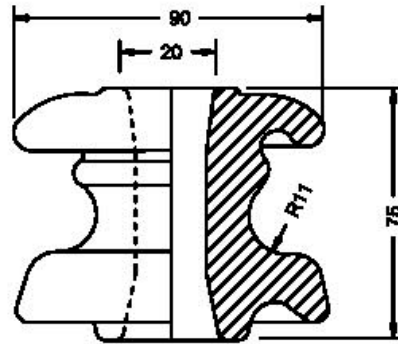


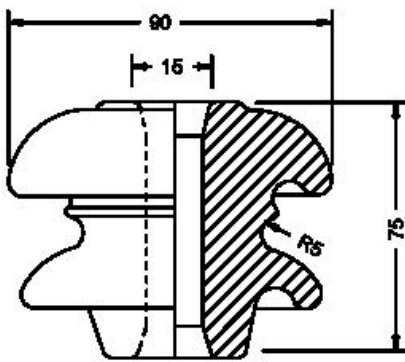
Insulators Shackle / Spool



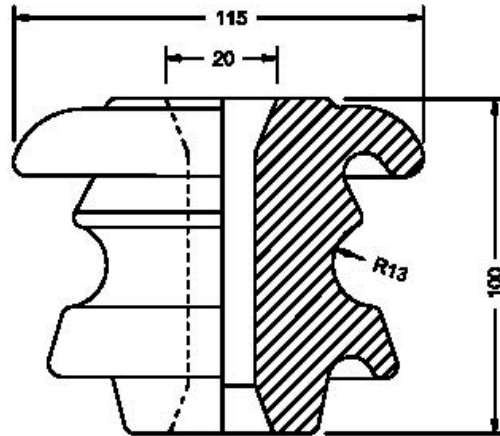
LTS - 001



LTS - 003



LTS - 002



LTS - 004

CATALOG NO.		LST -001	LTS-002	LTS -003	LTS -004
LEAKAG DISTANCE	MM	50	63	66	75
P.F. WITHSTAND DRY	KV	12	23	23	23
P.F. WITHSTAND WET	KV	6	10	10	10
P.F. PUNCTURE VOLTAGE KV		1.3 X ACTUAL DRY FO. F.			
MECHANICAL TRANSVERSE STRENGTH	KN	7.7	11.5	15	16
NETT WEIGHT APPROX	KG	0.25	0.50	0.60	1.0

Insulators conform to requirements of BS 137

Insulators available in brown or white glaze

Other sizes available on request

All dimensions in mm * We reserve the right to change design & construction without prior notice