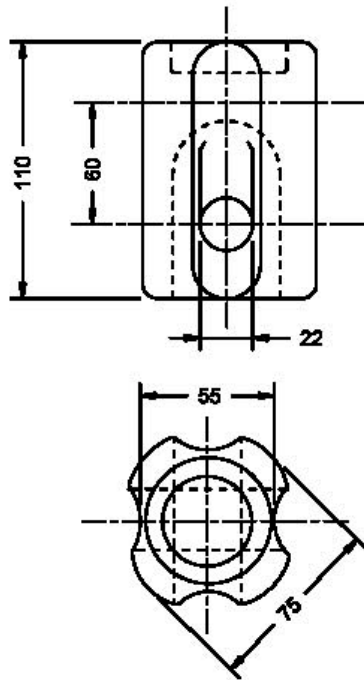
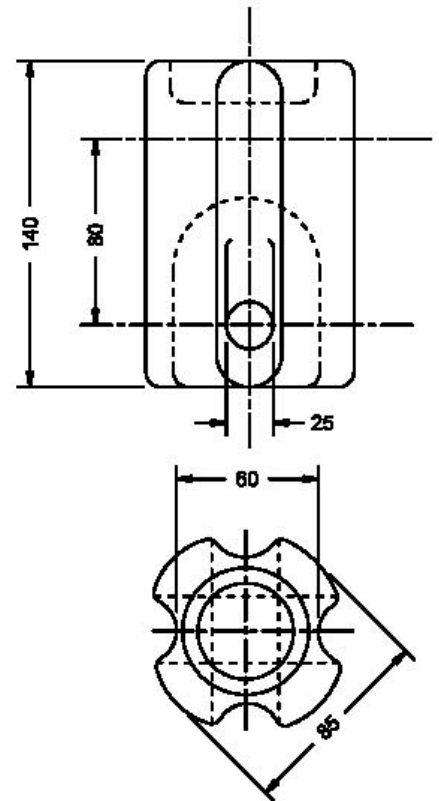


GSI -01



GSI -02



GSI -03

CATALOG NO.	GSI - 01	GSI -02	GSI - 03
Leakage distance	42	48	57
Power frequency dry KV	20	25	30
Power frequency wet KV	10	12	15
Puncture voltage KV	60	70	80
Tensile strength KG	4500	5450	9000
Weight approx KG	0.45	0.70	1.20

Stay Insulators conform to requirements of BS 137

Stay insulators available in brown glaze

Other sizes available on request  
All dimensions in mm \* We reserve the right to change design & construction without prior notice