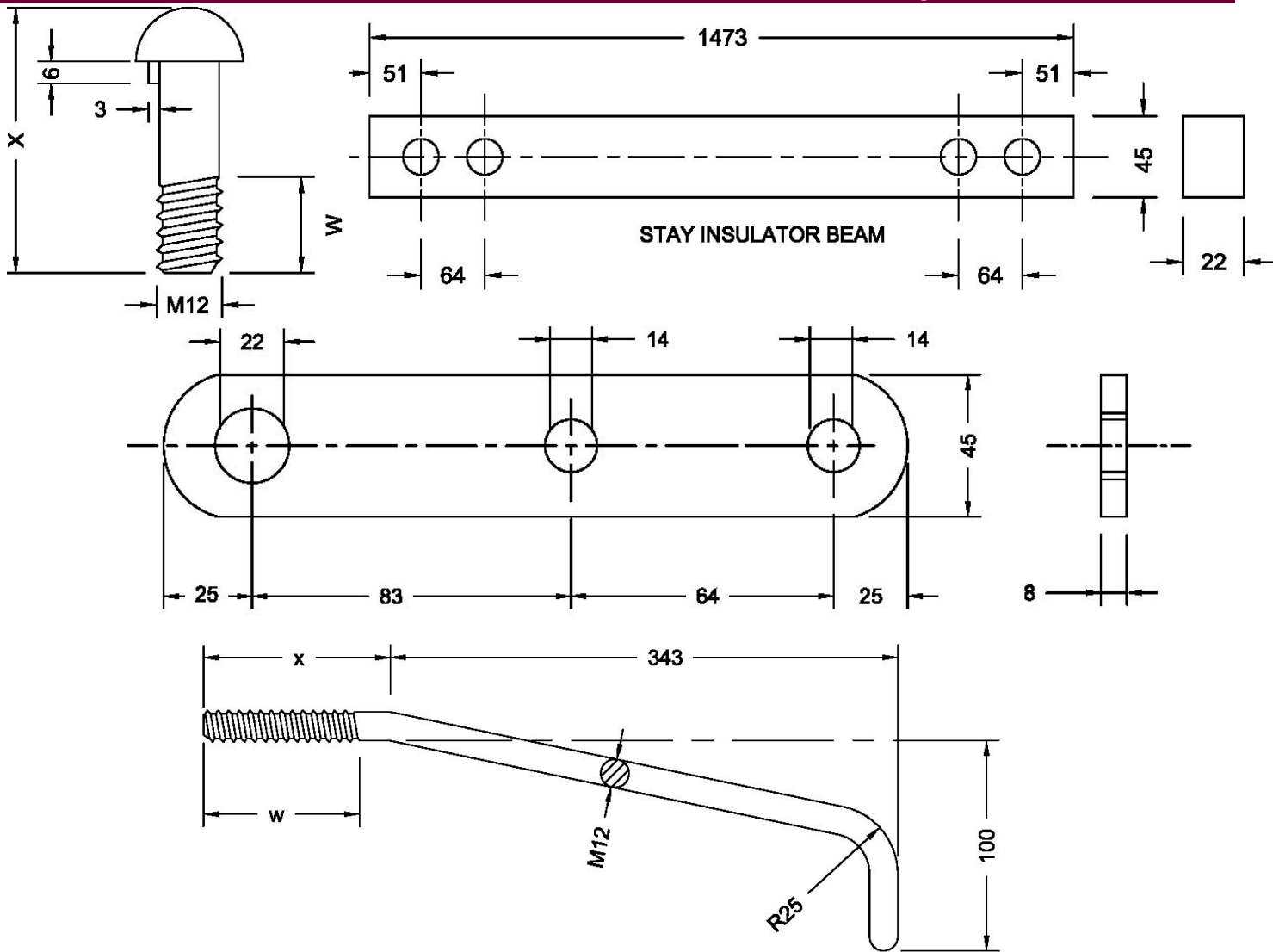


Insulator Stay (Wood Beam)



1.	STRAP 197 X 45 X 8	HDG STEEL	4 NOS
2.	CUP HEADED BOLT & NUT	HDG STEEL	2 NOS
3.	HEX BOLT & NUT M20 X 65	HDG STEEL	2 NOS
4.	ARCING HORN & NUT	HDG STEEL	2 NOS
5.	STAY INSULATOR	WOOD UW1	1 NOS
6.	THIMBLE	HDG STEEL	2 NOS

X = 57 MM

W = 25 MM

Stay Insulators are made of laminated densified wood duly treated for high voltage application

All ferrous parts are hot dip galvanized to ASTM A153 / BS 729

Other sizes available on request

All dimensions in mm * We reserve the right to change design & construction without prior notice