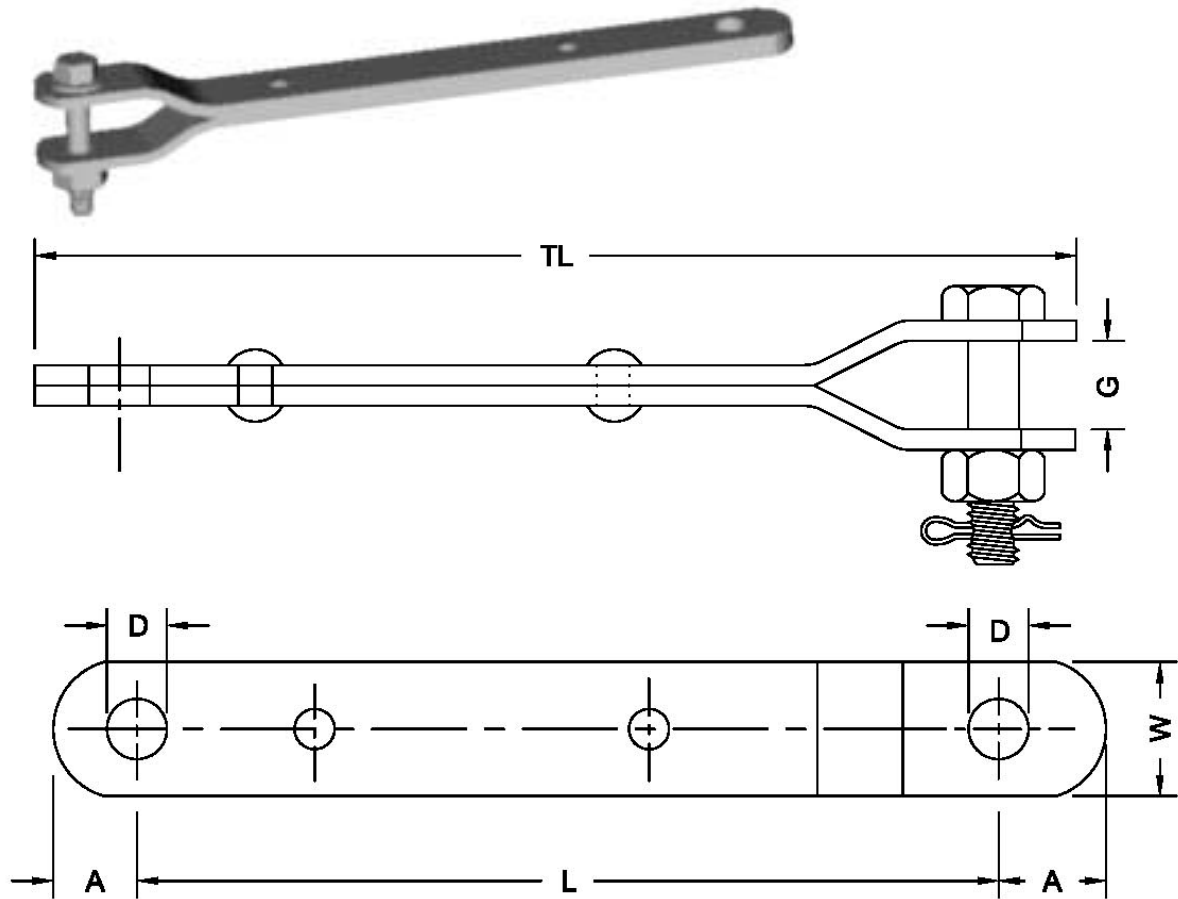


## Pole line hardware's Clevis eye extension



RIVETTED USING 6 MM DIA RIVETS PRIOR TO GALVANISING

CATALOG	L	W	T	G	A	D	TL
CEE-01	254	40	6	20	25	18	304
CEE-02	305	40	6	20	25	18	355

Clevis eye extension supplied complete with one hex bolt , nut & cotter pin  
Or alternatively with one cotter and cotter pin

All ferrous parts are hot dip galvanized to BS 729

Other sizes available on request  
All dimensions in mm \* We reserve the right to change design & construction without prior notice