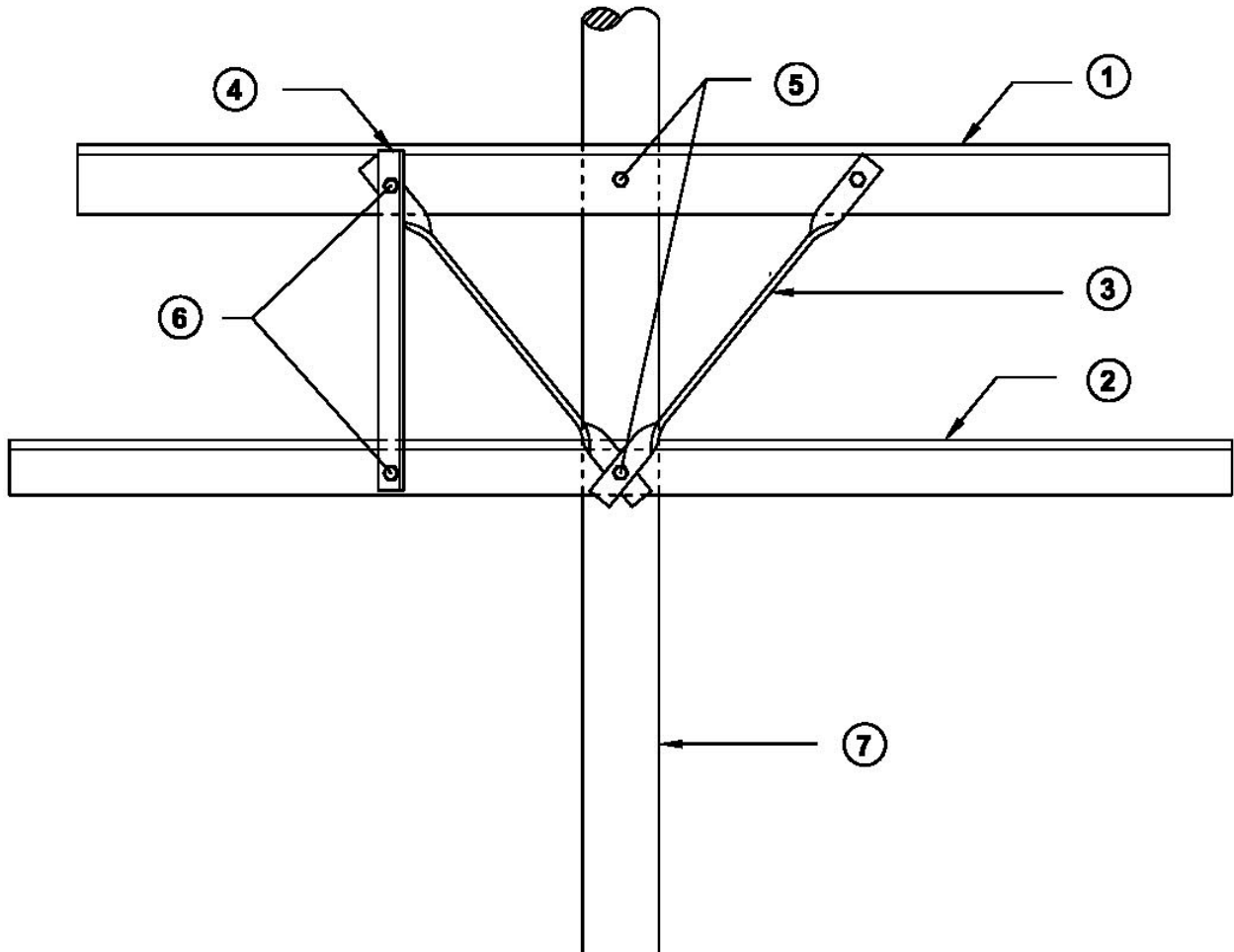


Pole line hardware's Cross arms



Typical arrangement of complete cross arm assembly

1. Intermediate Crossarm
2. Earth Wire Cross arm
3. Flat Tie Strap
4. Angle Tie Strap
5. Pole Fixing Bolts & Nuts
6. Brace fixing bolts & Nuts
7. Pole (not in our scope of supply)

All ferrous parts are hot dip galvanized to ASTM A153 / BS 729

Cross arms available in various shapes and sizes as per user requirement

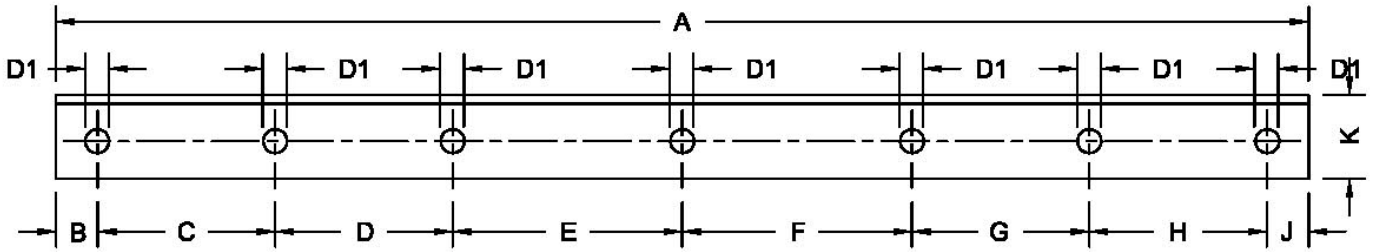
Other sizes available on request

All dimensions in mm * We reserve the right to change design & construction without prior notice

@ A.Damiano & Company: GPO Box:893:Calcutta 700001:India :E mail:damiano@vsnl.com: Web:www.adamiano.com

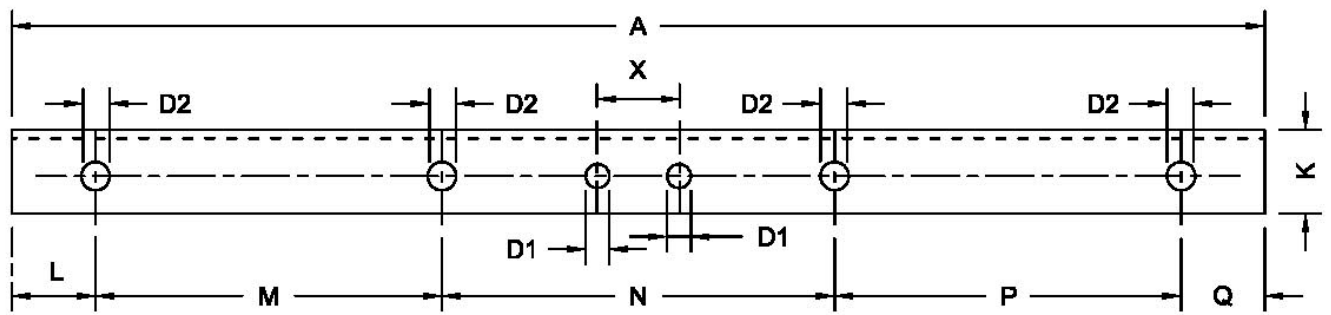
DAMIANO

Pole line hardware's Cross arms

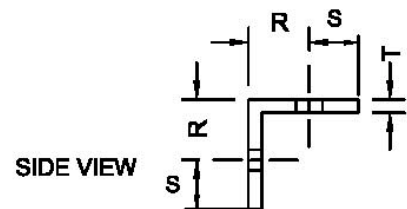


FRONT VIEW

2B (MARKED ON OUTSIDE)



TOP VIEW



SIDE VIEW

CAT ALO G	A	B	C	D	E	F	G	H	J	K	L	M	N	P	Q	R	S	T	X	D 1	D 2
CR - 2B	300	50	450	450	550	550	450	450	50	100	100	900	100	900	100	55	45	10	100	19	24

Fixing bolts and nuts to be ordered separately

All ferrous parts are hot dip galvanized to ASTM A153 / BS 729

Cross arms available in various shapes and sizes as per user requirement

Other sizes available on request

All dimensions in mm * We reserve the right to change design & construction without prior notice