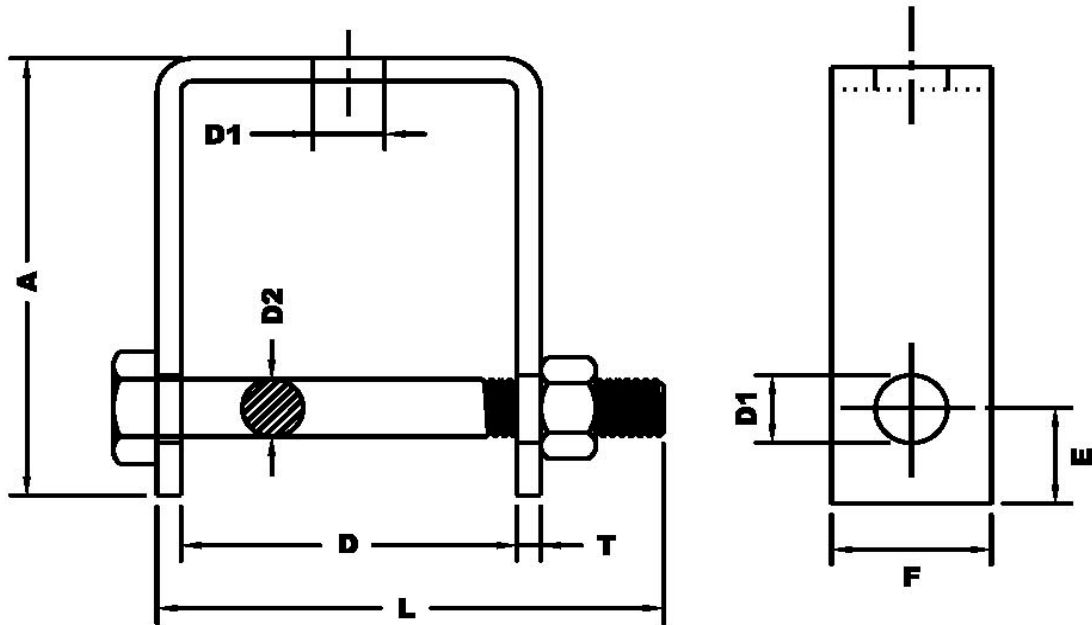


Pole line hardware's D Iron Bracket (Bolt & Nut)



| Catalog | A | D | E | F | D1 | T | L | D2 |
|--------------------|-----|----|----|----|----|----|-----|----|
| BDI-BT-65-90-32-6 | 90 | 65 | 32 | 20 | 14 | 05 | 100 | 12 |
| BDI-BT-80-95-38-6 | 95 | 80 | 38 | 25 | 18 | 06 | 110 | 16 |
| BDI-BT-84-110-38-6 | 110 | 84 | 38 | 25 | 18 | 06 | 115 | 16 |

D Iron brackets supplied complete with cotter one hex bolt & nut

Bolts and nuts confirming to BS 4190 Grade 4.6

All ferrous parts hot dip galvanized to BS 729

Other sizes available on request
All dimensions in mm * We reserve the right to change design & construction without prior notice