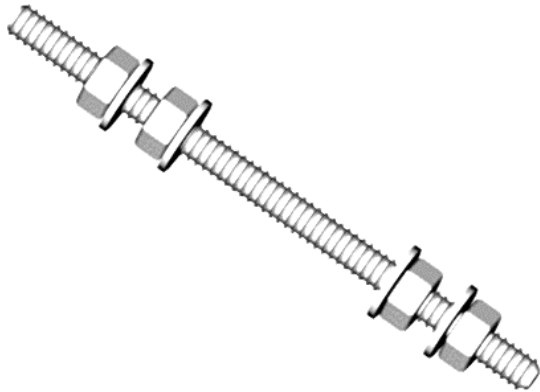
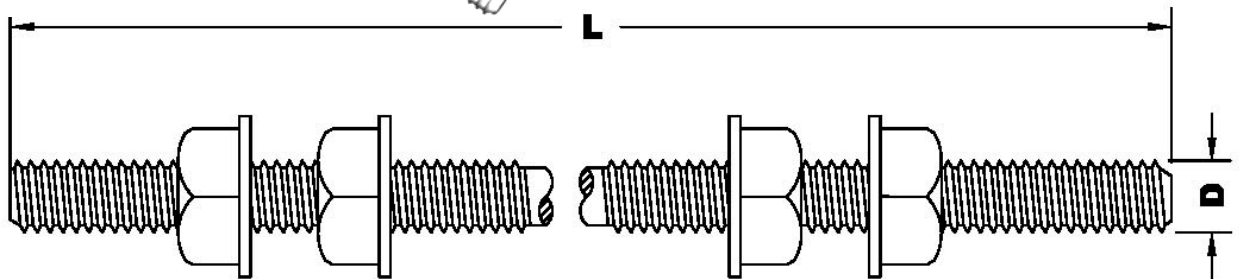


# Pole line hardware's Double arming bolt



Rolled threads

Semi Cone points at both ends



5 / 8" INCH DIA - 13550 LBS

3/4 " INCH DIA - 20050 LBS

Catalog	Dia	Length	Wt	Catalog	Dia	Length	Wt
BDA-0.625-10	5/8	10	118	BDA-0.750-12	3/4	12	196
BDA-0.625-12	5/8	12	136	BDA-0.750-14	3/4	14	220
BDA-0.625-14	5/8	14	142	BDA-0.750-16	3/4	16	240
BDA-0.625-16	5/8	16	158	BDA-0.750-18	3/4	18	260
BDA-0.625-18	5/8	18	187	BDA-0.750-20	3/4	20	284
BDA-0.625-20	5/8	20	192	BDA-0.750-22	3/4	22	304
BDA-0.625-22	5/8	22	208	BDA-0.750-24	3/4	24	336
BDA-0.625-24	5/8	24	224	BDA-0.750-26	3/4	26	345
BDA-0.625-26	5/8	26	240	BDA-0.750-28	3/4	28	365
BDA-0.625-28	5/8	28	256	BDA-0.750-30	3/4	30	286
BDA-0.625-30	5/8	30	264				
BDA-0.625-32	5/8	32	284				

Double arming bolts supplied complete with four square nuts

Spring washer are recommended but supplied against additional costs only if specified

All ferrous parts are hot dip galvanized to ASTM A153

Double arming bolts and nuts confirm to requirements of ANSI C135.1

Other sizes available on request

All dimensions in inches\* We reserve the right to change design & construction without prior notice

@ A.Damiano & Company: GPO Box:893:Calcutta 700001:India :E mail:damiano@vsnl.com: Web:www.adamiano.com

**DAMIANO**