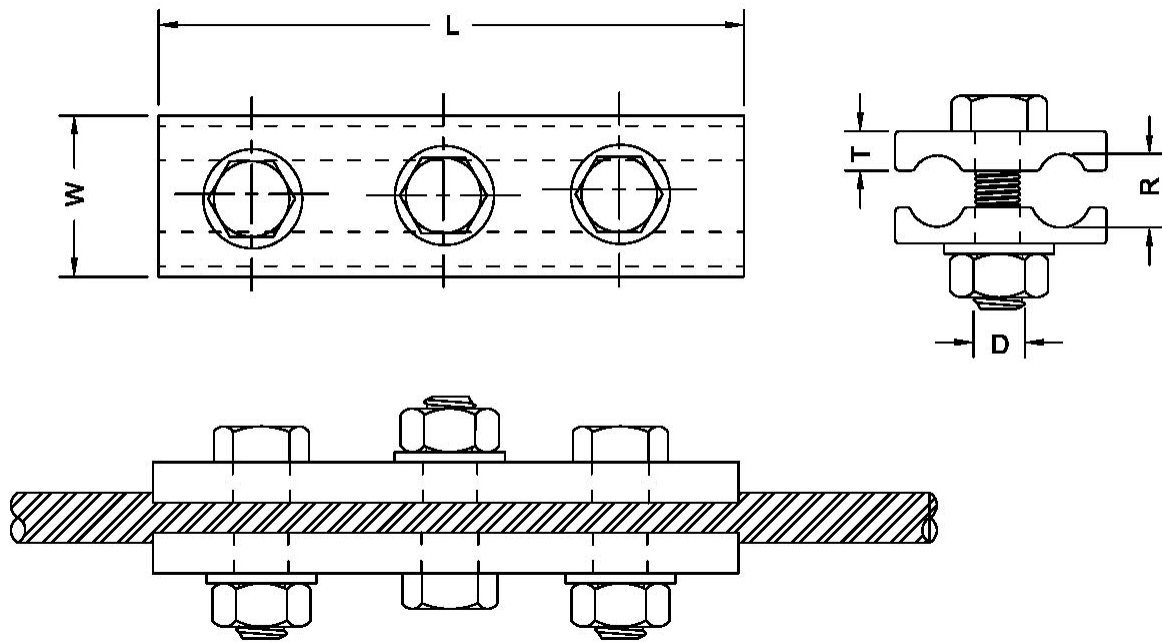


# Pole line hardware's Guy Clamps



CATALOG	R	No of bolts	L	W	T	D
GC-01	3-6	2 x M10 ( 3/8" )	90	32	6	10
GC-02	6-10	3 x M12 ( 1/2" )	150	38	8	12
GC-03	10-16	3 x M16 ( 5/8" )	150	42	10	16

Guy Clamps are supplied complete with bolts ( track / hex ) and matching nuts

Track bolts are recommended for ease in installing the clamps over hex bolts

Guy Clamps are made either with rolled sections or machined to precision

All ferrous parts are hot dip galvanized to ASTM A153 / BS 729

Other sizes available on request

All dimensions in mm / inch \* We reserve the right to change design & construction without prior notice