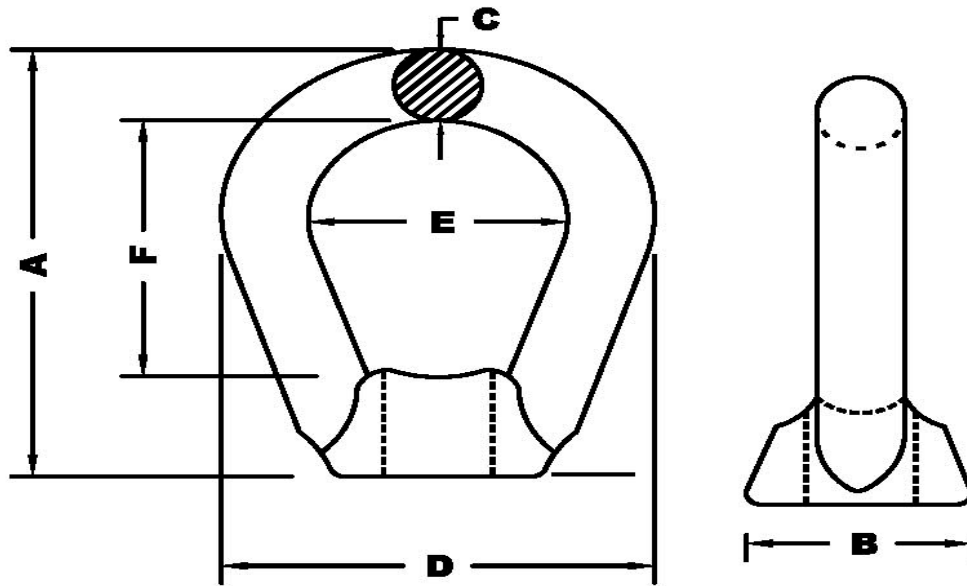


Pole line hardware's Oval eye nuts



| CATALOG | BOLT | A | B | C | D | E | F |
|---------|------|-------|-------|-----|-------|-------|-------|
| ENO-01 | 5/8 | 3-0/0 | 1-3/8 | 1/2 | 2-1/2 | 1-1/2 | 1-3/4 |
| ENO-02 | 3/4 | 3-1/2 | 1-7/8 | 5/8 | 2-3/4 | 1-1/2 | 1-3/4 |

Eye nuts are single piece forged construction

Eye nuts are tapped oversize (0.015) as permitted after galvanizing to ensure smooth fitment with matching threads on bolts

All ferrous parts are hot dip galvanized to ASTM A153 and internal threads oiled after re tapping to prevent rusting as permitted by specification

Other sizes available on request
All dimensions in inches * We reserve the right to change design & construction without prior notice

@ A.Damiano & Company: GPO Box:893:Calcutta 700001:India :E mail:damiano@vsnl.com: Web:www.adamiano.com

DAMIANO