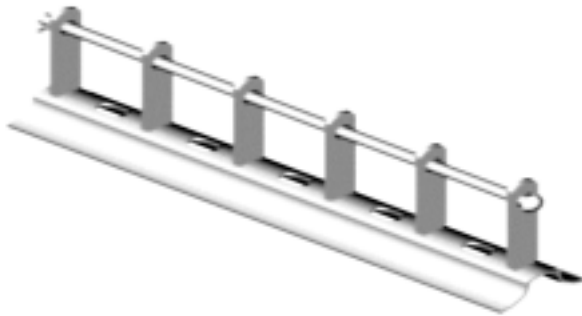
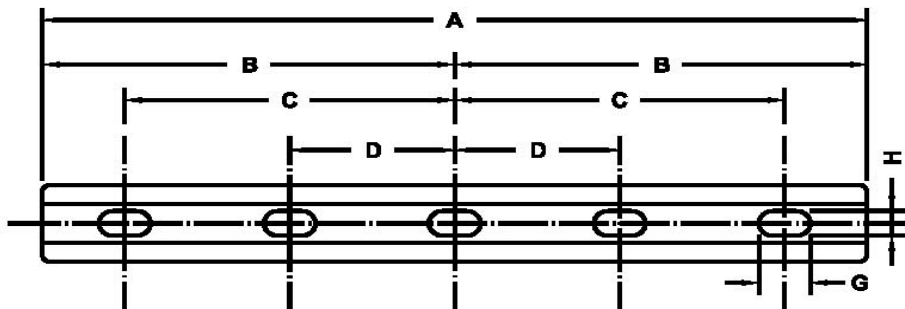
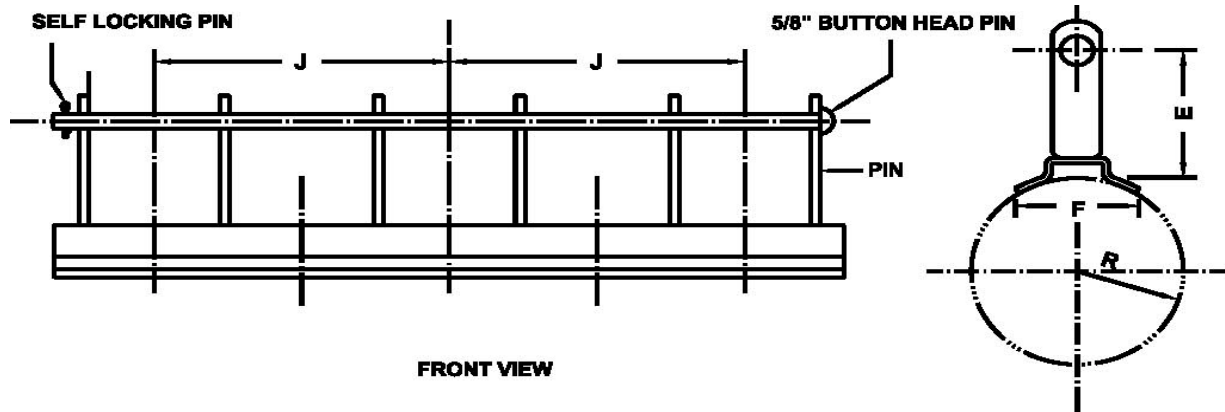


## Pole line hardware's Secondary Racks ( Three wires )



Racks are made from pressed steel of minimum 7 SWG thickness and hot dip galvanized to ASTM A153

Cotter pins are made of stainless steel



**BACK VIEW**

CATALOG	A	B	C	D	E	F	G	H	J	R
HNX-3S-8	21-3/4	10-7/8	8	4	4	3	1-1/4	11/16	8	3-1/2
HX-3S-8	26-0/0	13-0/0	8	4	4	3	1-1/4	11/16	8	3-1/2

Extended / non extended types available

All ferrous parts are hot dip galvanized to ASTM A153

Other sizes available on request

All dimensions in inches \* We reserve the right to change design & construction without prior notice