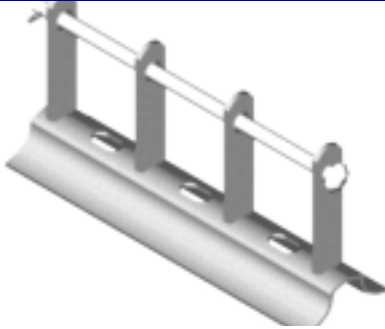
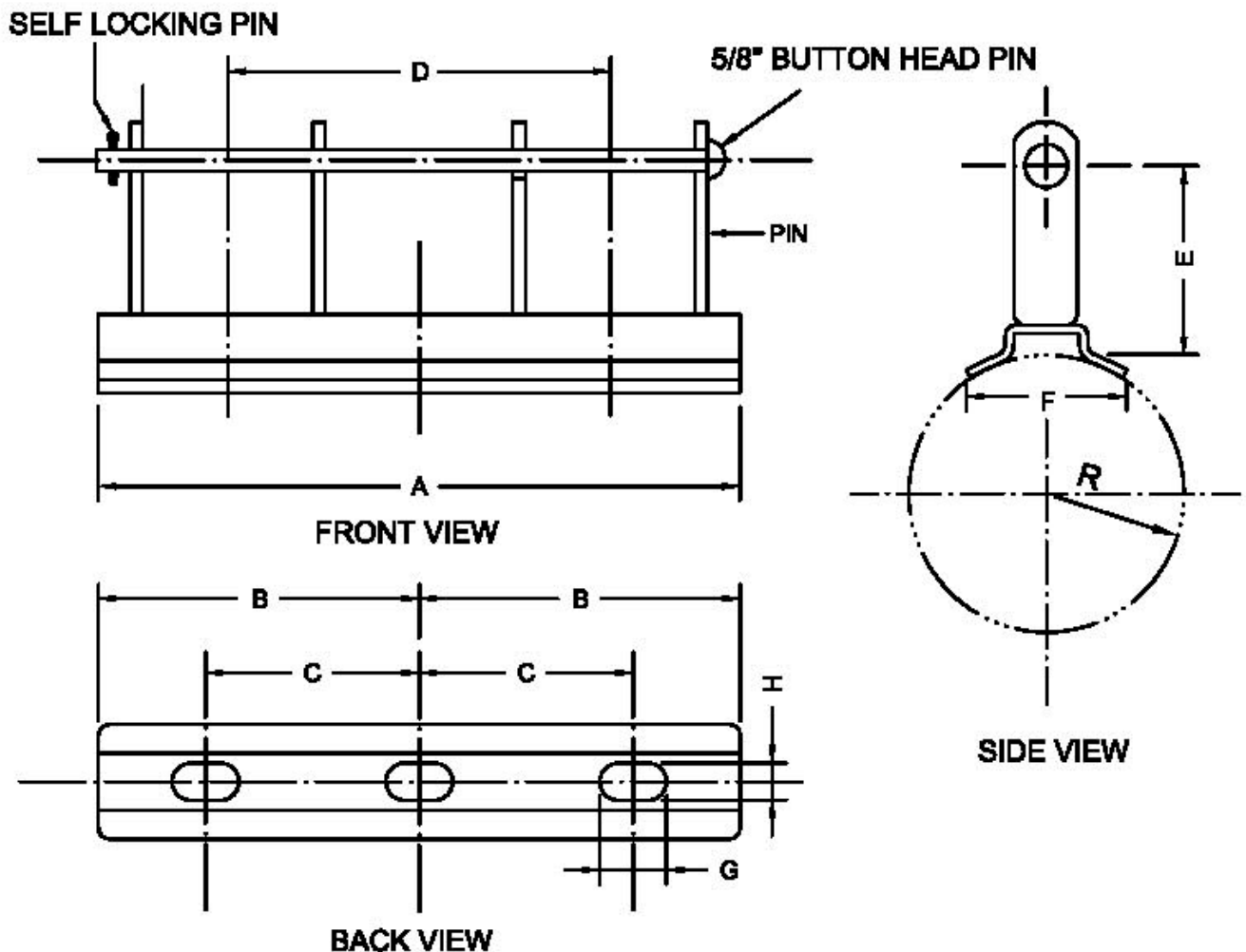


Pole line hardware's Secondary Racks (Two wires)



Racks are made from pressed steel of minimum 7 SWG thickness and hot dip galvanized to ASTM A153

Cotter pins are made of stainless steel



CATALOG	A	B	C	D	E	F	G	H	R
LNX-2S-8	12	6	4	8	4	2-1/8	1-1/4	11/16	3-1/2

Extended / non extended types available

All ferrous parts are hot dip galvanized to ASTM A153

Other sizes available on request

All dimensions in inches * We reserve the right to change design & construction without prior notice