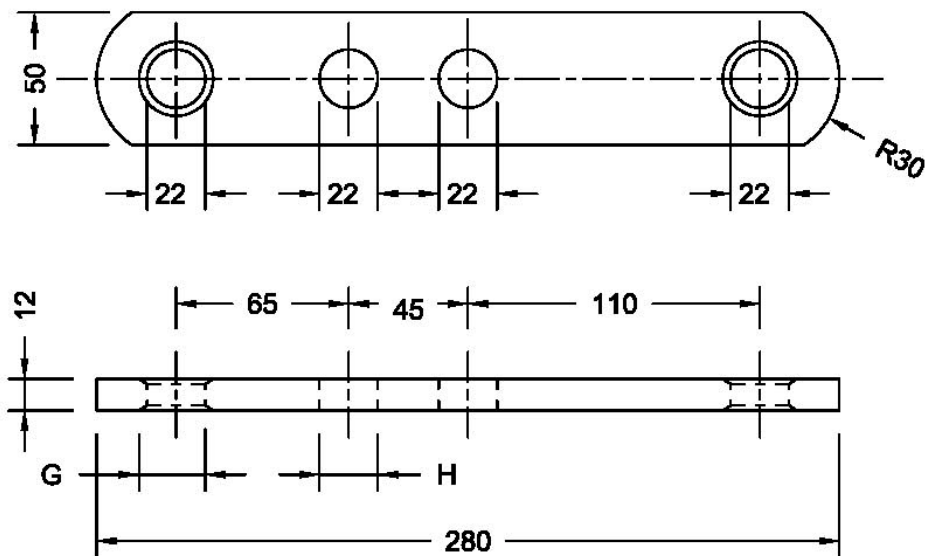
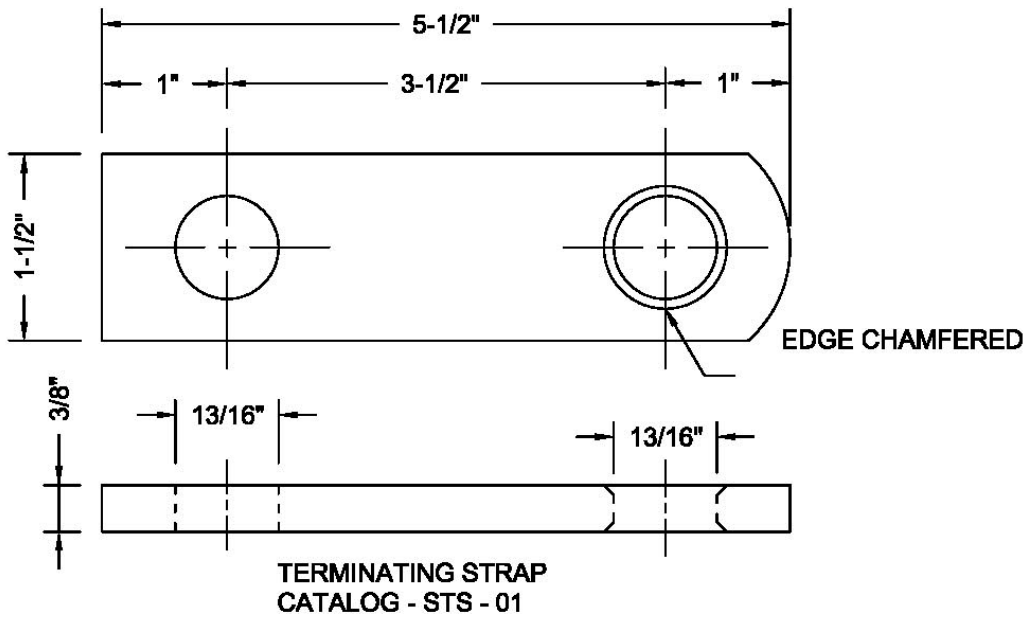


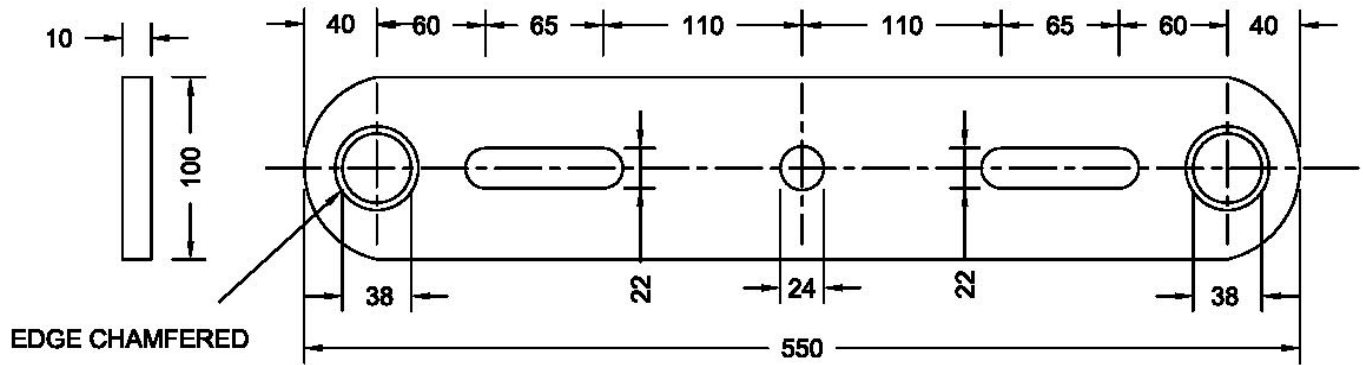
## Pole line hardware's Section / Terminal strap



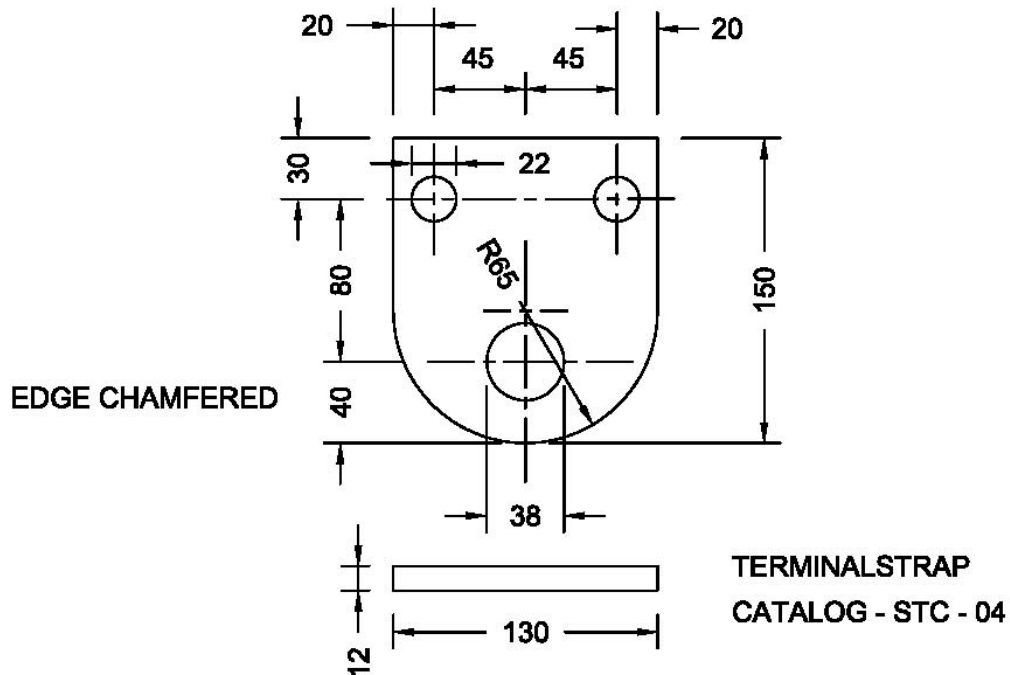
All ferrous parts are hot dip galvanized to ASTM A153 / BS 729

Other sizes available on request  
All dimensions in inch / mm \* We reserve the right to change design & construction without prior notice

# Pole line hardware's Section / Terminal Straps



SECTION STRAP  
CATALOG - STC - 03



TERMINALSTRAP  
CATALOG - STC - 04

Other sizes available on request  
All dimensions in mm \* We reserve the right to change design & construction without prior notice