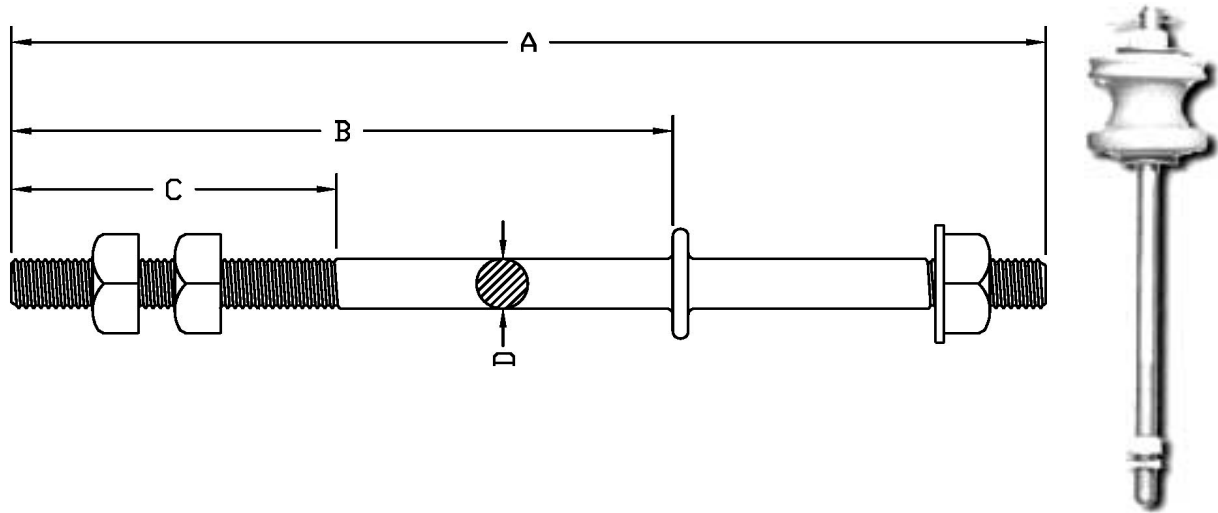


Pole line hardware's Spool Bolt



Single Upset Spool Bolts

Catalog	Diameter	Shank length B	Overall length A	Thread length C
BSU-0.625-08	5/8	8	12-1/2	4
BSU-0.625-09	5/8	9	13-1/2	4
BSU-0.625-10	5/8	10	14-1/2	4
BSU-0.625-12	5/8	12	16-1/2	6
BSU-0.625-14	5/8	14	18-1/2	6

Double Upset Spool Bolts

Catalog	Diameter	Shank length B	Overall length A	Thread length C
BDU-0.625-08	5/8	8	14	4
BDU-0.625-09	5/8	9	15	4
BDU-0.625-10	5/8	10	16	4
BDU-0.625-12	5/8	12	18	6

Spool bolts supplied complete with two square nuts , one mf lock nut , one cotter pin and round washer. Double upset spool bolts provide additional clearance of 1-5/8" between insulator and pole

All ferrous parts hot dip galvanized except cotter pin which is made of stainless steel

Other sizes available on request

All dimensions in inches* We reserve the right to change design & construction without prior notice

@ A.Damiano & Company: GPO Box:893:Calcutta 700001:India :E mail:damiano@vsnl.com: Web:www.adamiano.com

DAMIANO