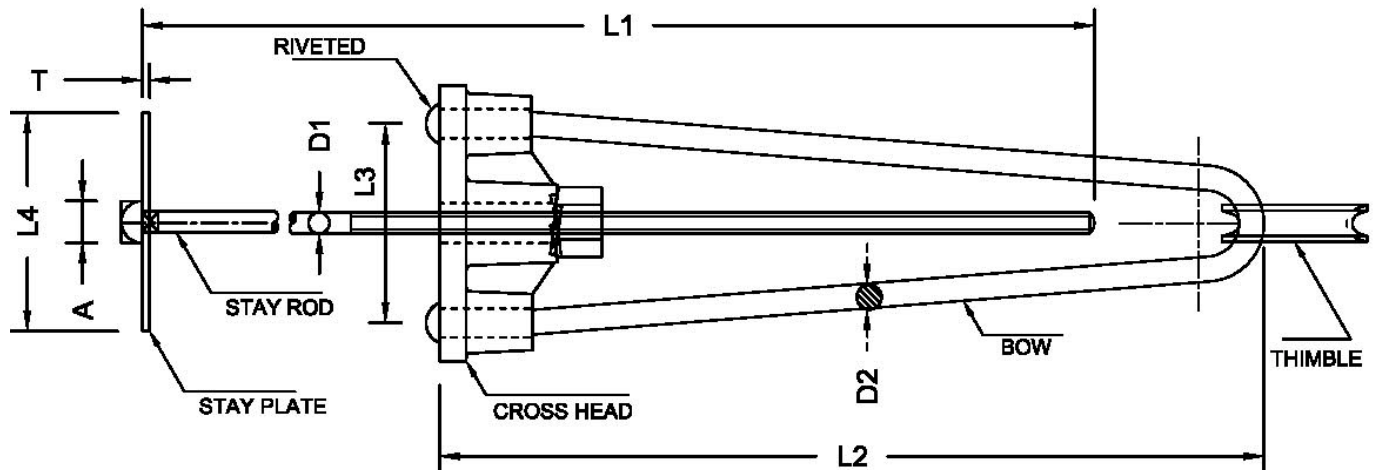


Pole line hardware's Stay rod assembly (conventional)



CATALOG	A	D1	D2	L1	L2	L3	L4	T	MFL
SSC-LT	32	16	12	1800	400	98	100	05	62
SSC-HT	38	20	14	2400	400	110	100	06	96

Stay rods , plate , bow , thimble and nut are made of hot rolled steel
Crossheads are made of cast iron

Stay rod and nut assembled together and packed separately
Bow & crosshead assembled together and packed separately
Plates and thimbles packed individually

Washer & thimble can be supplied at additional cost.

Recommended size of washer is as stated above.

Conventional stay rods conform to requirements of BS 16

All ferrous parts are hot dip galvanized to BS 729

Other sizes available on request
All dimensions in mm * We reserve the right to change design & construction without prior notice