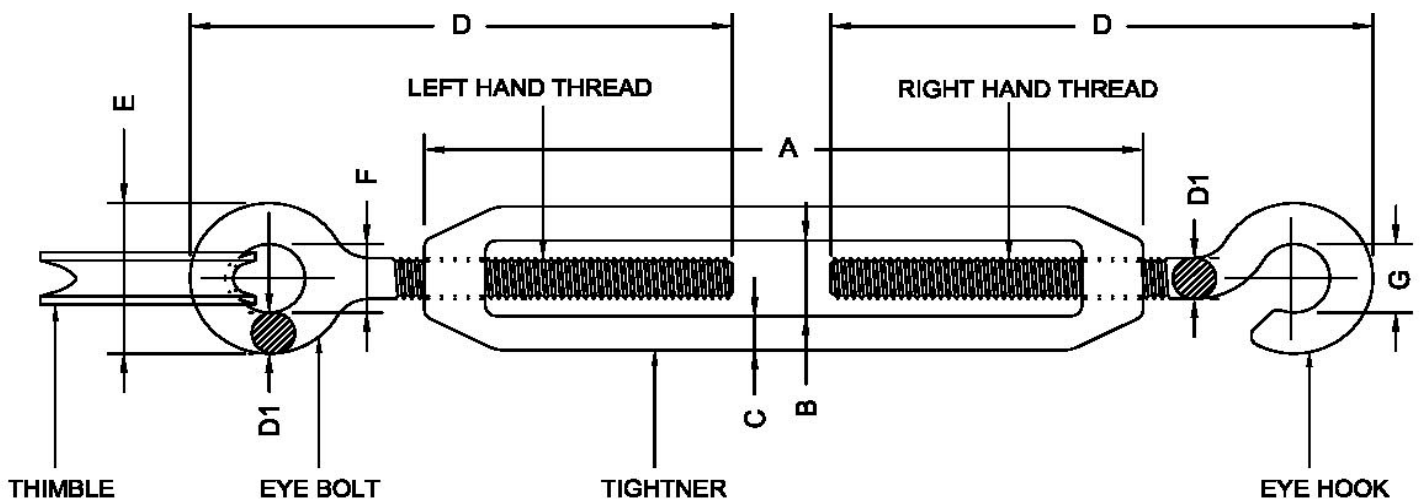


# Pole line hardware's Stay tightner



CATALOG	A	B	C	D	E	F	G	D1
ST-01	150	20	08	130	44	20	20	12
ST-02	250	25	12	200	57	25	25	16
ST-03	300	28	16	240	65	25	25	20

Stay tightner consist of a body and two end fittings which can be eye type , hook type , clevis type or in various shaped as required by buyer

The body and end fittings are single piece forged construction  
Locks nuts can also be supplied to supplement tightening if ordered  
Thimble can also be supplied if ordered separately

All ferrous parts are hot dip galvanized to ASTM A153 / BS 729

Other sizes available on request

All dimensions in mm \* We reserve the right to change design & construction without prior notice