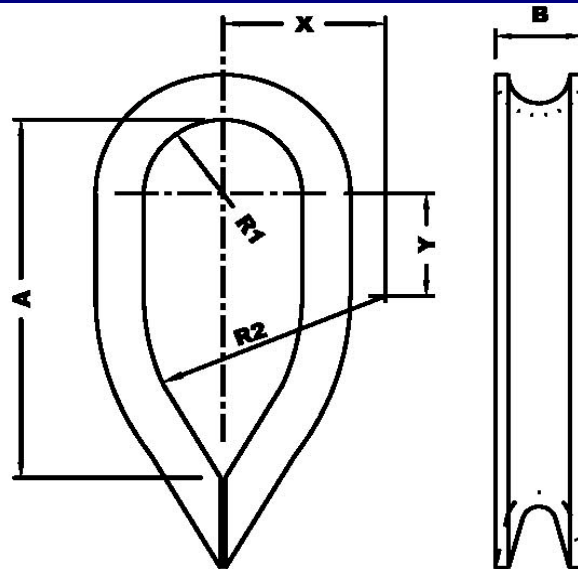
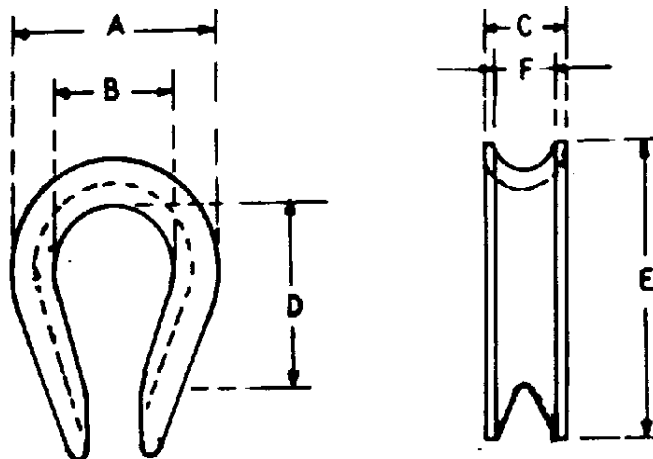


# Pole line hardware's Thimble



CATALOG	A	B	R1	R2	X	Y
TH -10	95	20	18	55	37	25
TH-12	120	25	18	55	37	25



Size	A	B	C	D	E	F
1/4" - 3/8"	1-7/8	1-0/0	9/16	1-1/2	2-1/2	13/32
3/8" - 1/2"	2-5/16	1-1/4	13/16	1-3/4	3-1/8	9/16

All ferrous parts are hot dip galvanized to ASTM A153 / BS 729

Other sizes available on request

All dimensions in mm / inches \* We reserve the right to change design & construction without prior notice