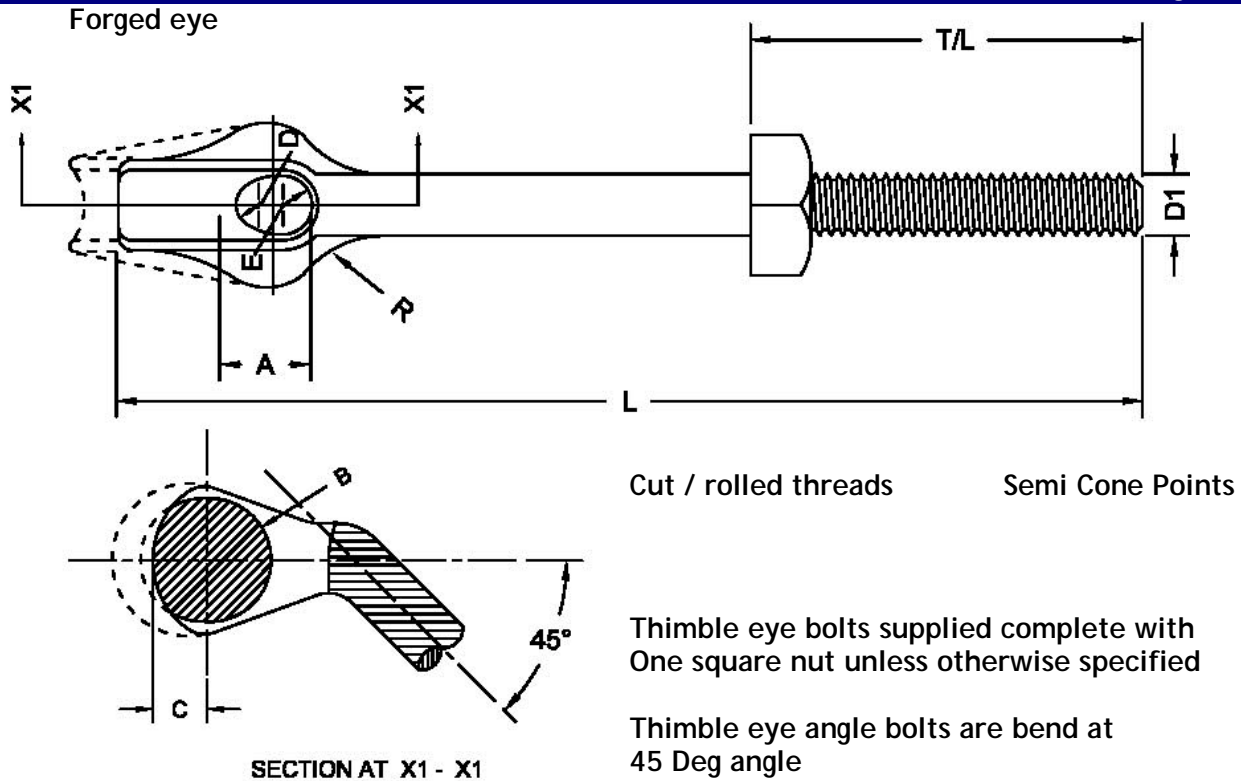


Pole line hardware's Thimble eye bolts



Catalog	DIA	A	B	C	D	E	R (MIN)	MFL LBS
EBT-0.625	5/8	11/16	11/16	5/16	1/4	9/32	5/8	13550
EBT-0.750	3/4	13/16	3/4	7/16	9/32	11/32	3/4	20050

Threaded = 4 (if l1 = < 10) threaded = 6 (if l1 > 10)

Please specify length (l1) when ordering by adding required length to the suffix of the catalog number

Please specify straight or angle type by adding s or t to the suffix of the catalog number

All ferrous parts hot dip galvanized to ASTM A153

Thimble eye bolts conforms to requirements of ANSI C135.4

Other sizes available on request
All dimensions in inches* We reserve the right to change design & construction without prior notice

@ A.Damiano & Company: GPO Box:893:Calcutta 700001:India :E mail:damiano@vsnl.com: Web:www.adamiano.com

DAMIANO