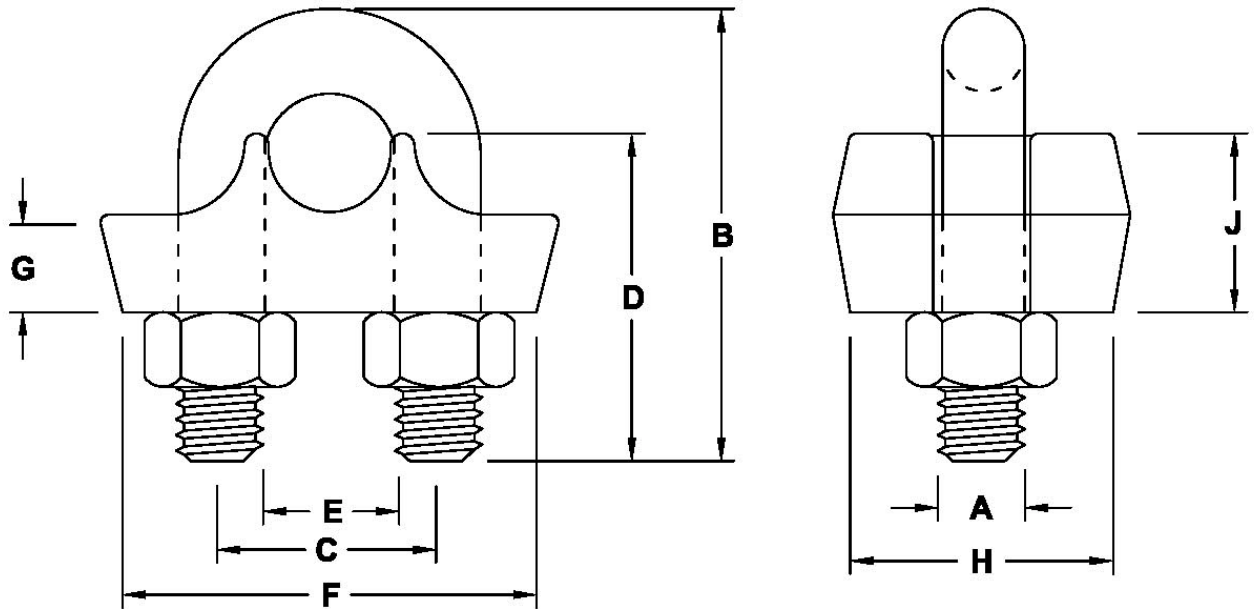


Pole line hardware's Wire rope grips / Guy Clips



Threads rolled or cut

CATALOG	A	B	C	D	E	F	G	H	J
WG-08	8	40	17	21	9	33	8	18	14
WG-10	10	50	21	26	11	41	10	23	18
WG-12	12	60	25	31	13	49	12	28	22
WG-14	12	64	27	32	15	51	12	28	22
WG-16	14	74	31	38	17	59	14	32	25
WG-19	14	82	36	40	22	64	14	32	25

Wire rope grips consists of body , u bolt assembled with two hex nuts

Body is available as forged or cast and design incorporates a serration for effective grip

All ferrous parts are hot dip galvanized to ASTM A153 / BS 729

Other sizes available on request
All dimensions in mm* We reserve the right to change design & construction without prior notice