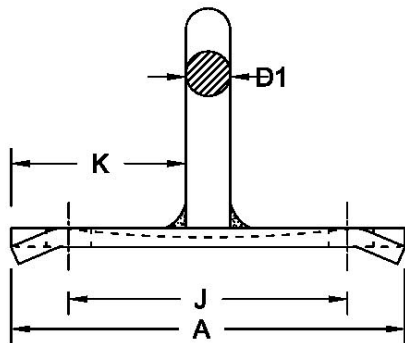
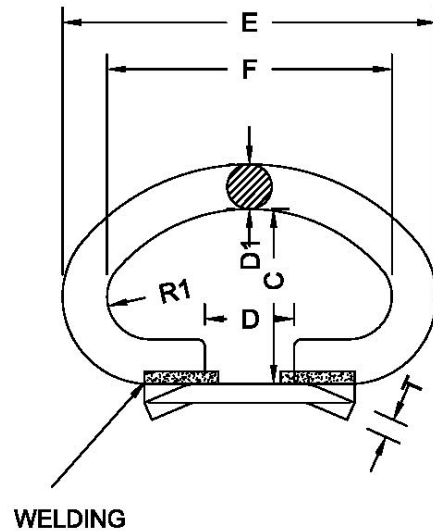
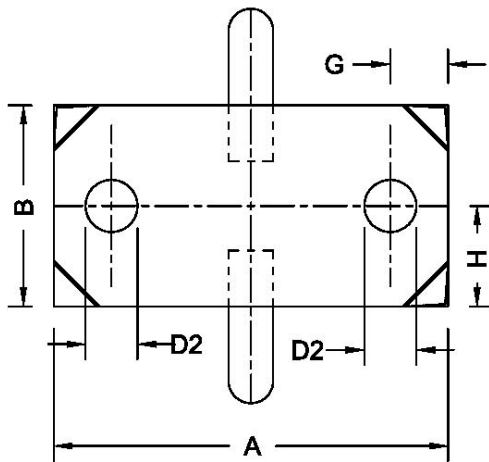


Telecom Accessories Anchoring Eye



CAT NO	A	B	C	D	E	F	G	H	J	K	D1	D2	R1	T
DW-AE-12-97	106	54	47	24	97	73	15.5	27	75	47	12	14	09	05

Minimum failing load of anchoring eye is 30 KN
The anchoring eye is securely welded to the base which fits on to pole or wall surface
All ferrous parts are hot dip galvanized to BS 729

Other sizes available on request
 All dimensions in mm * We reserve the right to change design & construction without prior notice