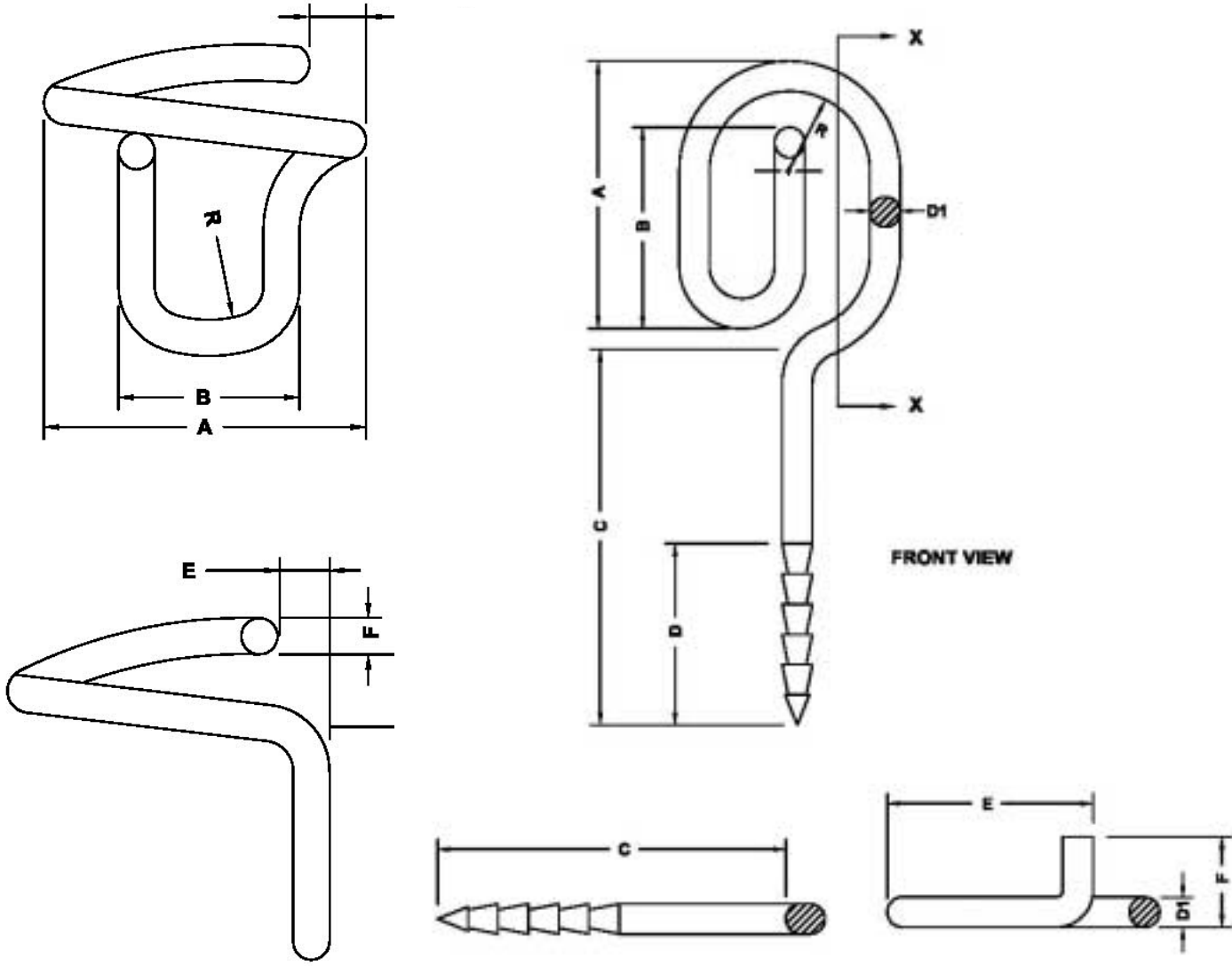


Telecom Accessories
Bridle Ring



Catalog	A	B	C	D	E	F	R	D1
BR-01	45	34	60	30	34	15	12	5

Catalog	A	B	C	D	E	F	R
BR-02	52	30	10	12	8	6	20

All ferrous parts are hot dip galvanized to BS 443

Other sizes available on request
All dimensions in mm * We reserve the right to change design & construction without prior notice