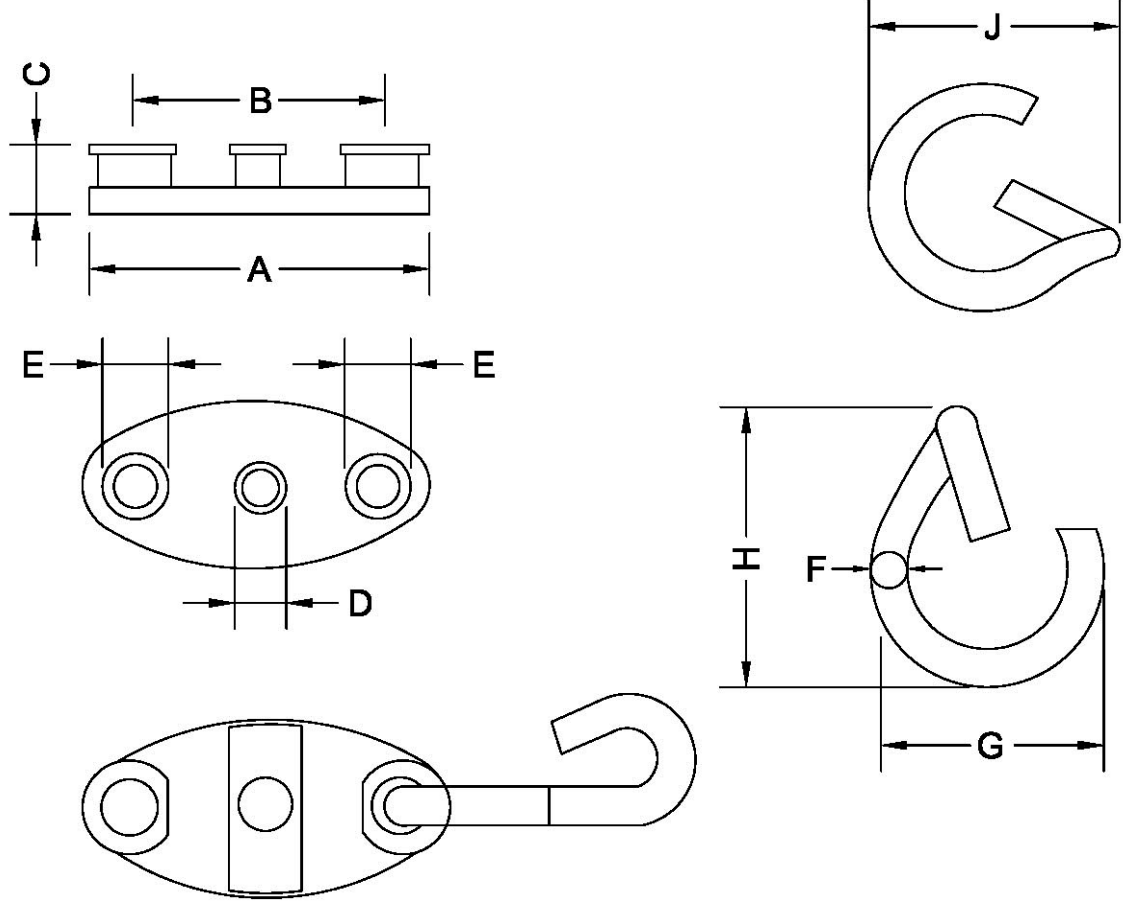


Telecom Accessories Distribution Clamp



CATALOG	A	B	C	D	E	F	G	H	J
DWDC - 01	55	38	12	5	7	6	37	46	46

Drop wire distribution clamps consists of clamp made of poly carbonate Material and hook made of hot dip galvanized steel

Clamps are also available in various grade of nylon if required

Bails are also available in stainless steel if required

Other sizes available on request
All dimensions in mm * We reserve the right to change design & construction without prior notice