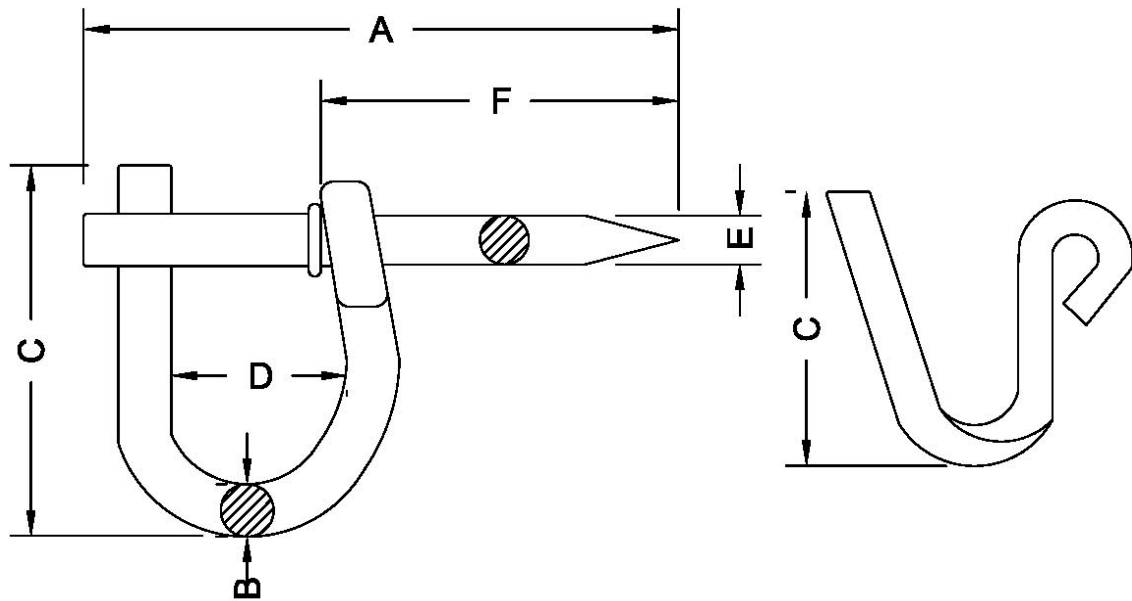


Telecom Accessories

Drive Ring



CAT NO.	A	B	C	D	E	F (MIN)	PER BOX
DR-12	2-1/16	0.124	1-1/4	1/2	0.124	1-3/8	3000 PCs
DR-21	2-9/16	0.176	1-3/4	7/8	0.176	1-1/2	1000 PCs

Drive rings are supplied with one hardened steel pin suitable for pole , wall or concrete fixing of the ring with ease

All ferrous parts are hot dip galvanized to BS 443

Other sizes available on request
All dimensions in mm * We reserve the right to change design & construction without prior notice

@ A.Damiano & Company: GPO Box:893:Calcutta 700001:India :E mail:damiano@vsnl.com: Web:www.adamiano.com

DAMIANO