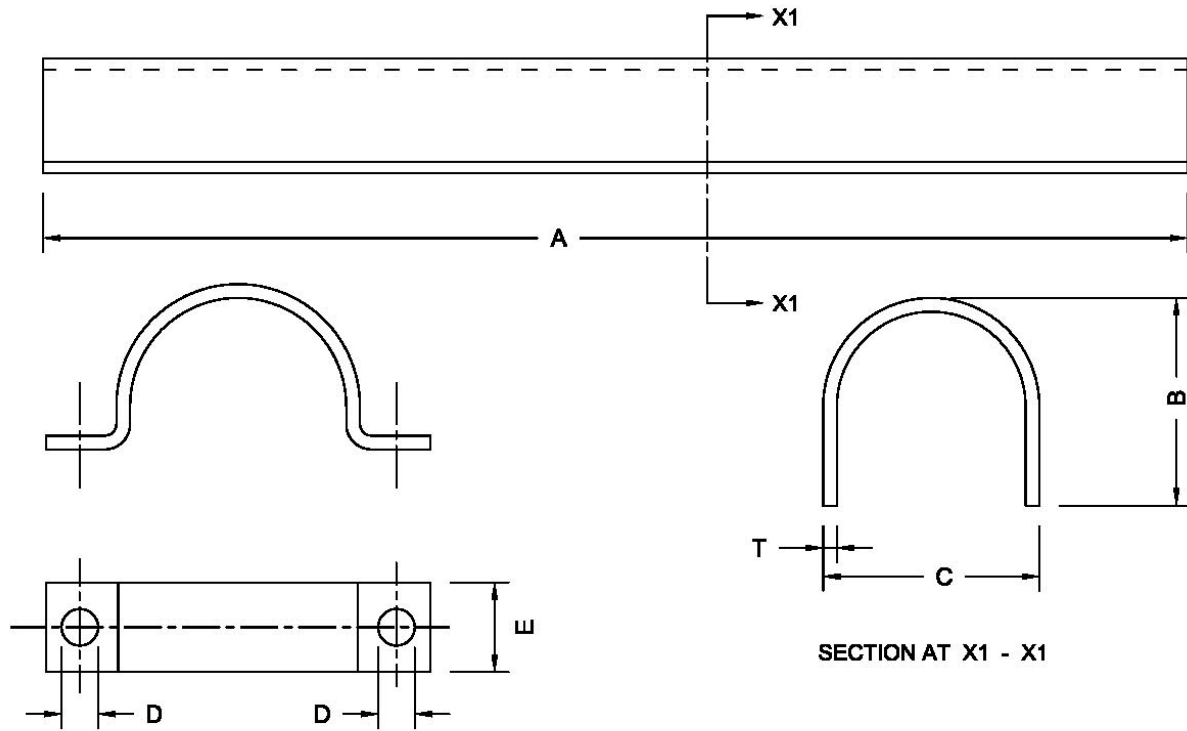


Telecom accessories Riser Guard



CATALOG	A	B	C	D	E	T
RG-01	2500	40	50	09	25	02

Saddles can be supplied and to be ordered separately

Riser Guards are made of pressed steel of 2 mm thickness

All ferrous parts are hot dip galvanized to ASTM A153 / BS 729

Other sizes available on request
All dimensions in mm * We reserve the right to change design & construction without prior notice