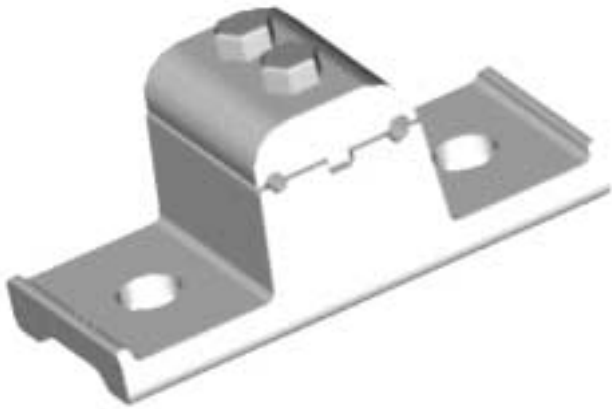


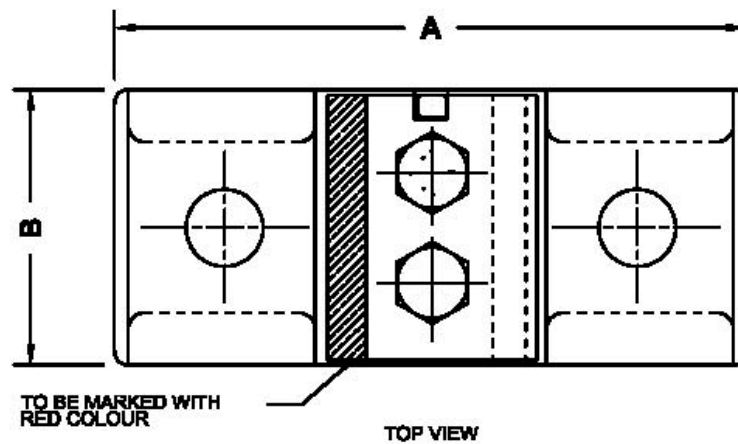
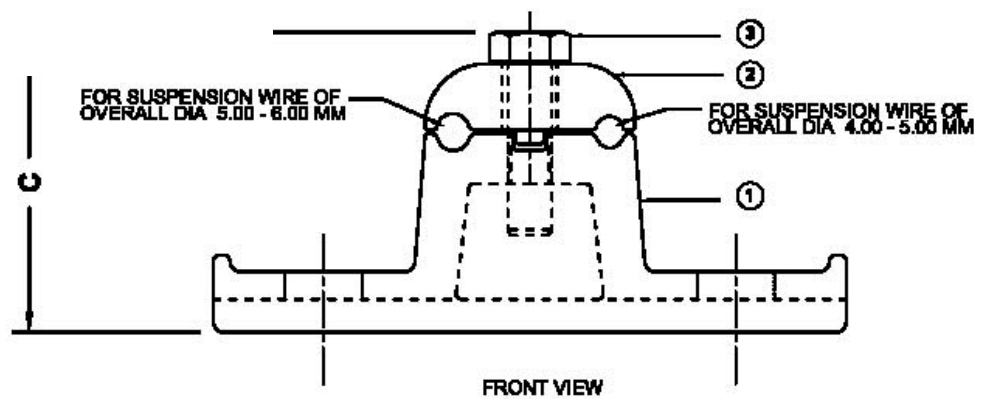
Telecom accessories Suspension Clamp



Clamps are made of hot dip galvanized cast iron

Bolts are made of hot dip galvanized steel

Minimum failing load of clamps is 3 KN



CATALOG	A	B	C	D	E
SSC-01	115	50	53	14	75

Suspension Clamps are supplied complete with two no M8 x 35 mm Hex bolts and are hot dip galvanized to ASTM A153 / BS 729

Other sizes available on request

All dimensions in mm * We reserve the right to change design & construction without prior notice